



432 SERIES

V3RH BSP / NPTF
ORB/ SAE



Calibrated steel manufacturing.
Available with or without mounting holes.
Thread combination available upon request of minimum quantities.

• Materials

Carbon Steel EN -10277-3

Seals: NBR, Viton or EPDM

Seating Ball: P.O.M (Delrin®)

Handle: ZAMAK-5

• **Applications:** Designed for Oil hydraulic Applications according to European Directive 97.23.EC Hammer Application

• Equivalence

PISTER BK3
MHA BK3
HYDAC KHB3K

• Working temperature (Seals)

	NBR	Viton	EPDM
+	+100°C	+200°C	+150°C
-	-30°C	-10°C	-40°C

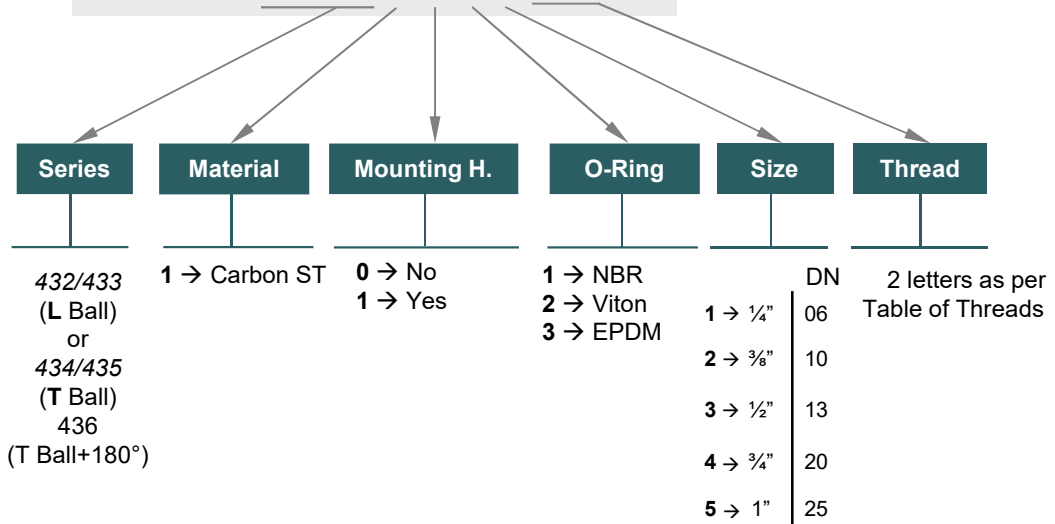
• **Sectors:** Industrial, Agricultural.



MODEL STRUCTURE

Example:

432.1113 AD



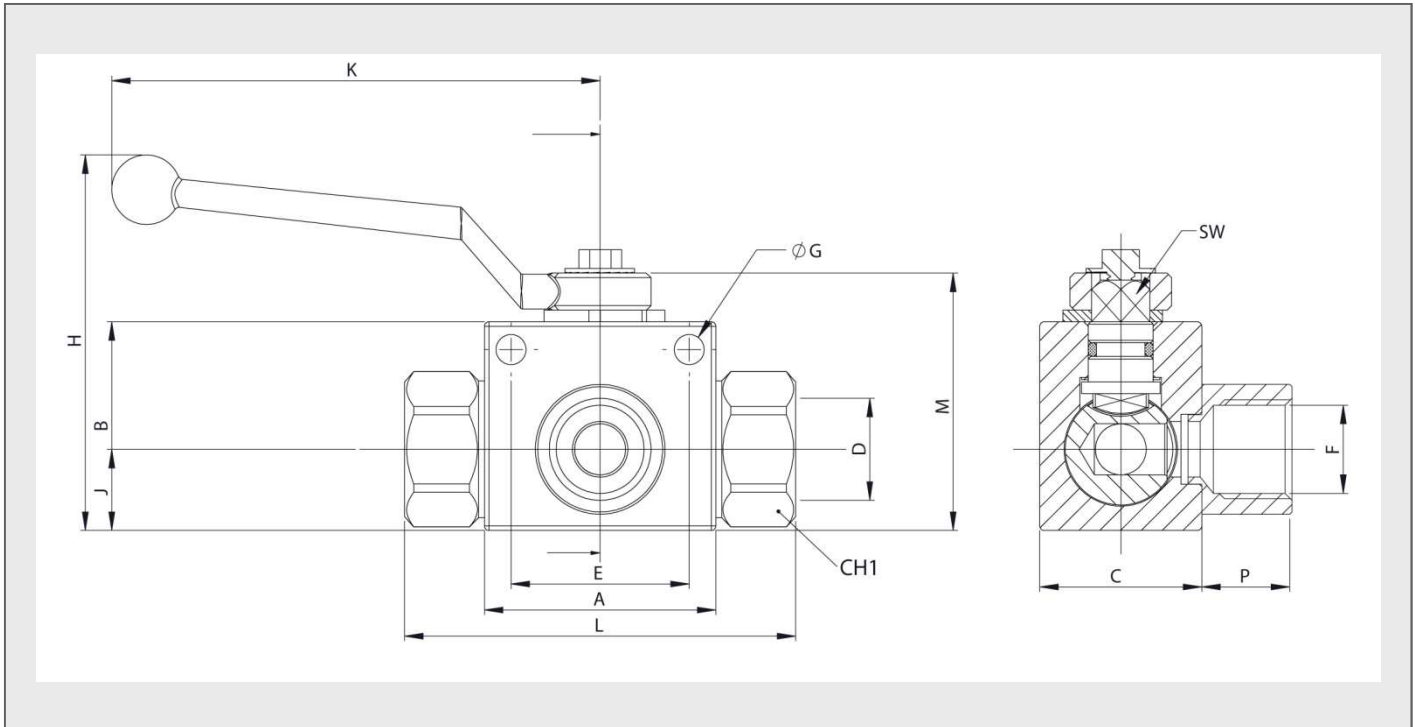
432-1





432 SERIES

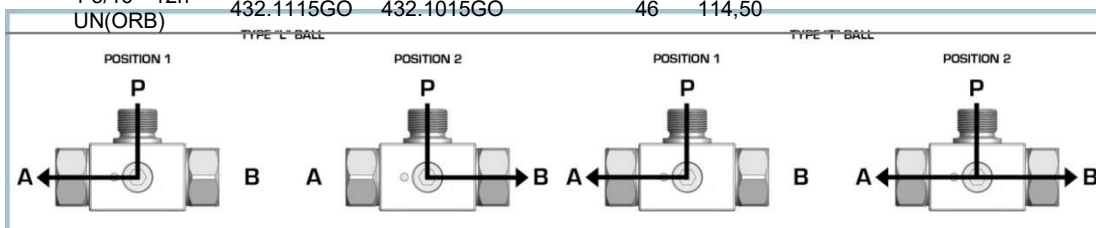
V3RH BSP / NPTF
ORB / SAE



(A dimension)

STANDARD MODELS

DN	D / F	With M.H.	Without M.H.		CH1	L	A	B	M	K	H	J	C	SW	ØG	E	P
06	1/4" BSP	432.1111AB	432.1011AB	500Bar	22	72,60	40	35	45,50	105,50	71	13	26	8,90	4,50	31,50	16
	1/4" NPTF	432.1111BB	432.1011BB														13
	7/16"-20h UNF(ORB)	432.1111GA	432.1011GA														14
10	3/8" BSP	432.1112AC	432.1012AC	500Bar	27	75,40	45	40	50,50	105,50	76	16	32	8,90	5,20	31,50	15
	3/8" NPTF	432.1112BC	432.1012BC														16
	9/16"-18h UNF(ORB)	432.1112GC	432.1012GC														16
13	1/2" BSP	432.1113AD	432.1013AD	500Bar	30	84,50	50	45	55,50	105,50	81	17,50	35	8,90	6,50	38,50	19,50
	1/2" NPTF	432.1113BD	432.1013BD														19,50
	3/4" - 16h UNF(ORB)	432.1113GF	432.1013GF														19,50
20	3/4" BSP	432.1114AE	432.1014AE	400Bar	41	93,40	60	60	73	159,50	108	23	50	13,90	6,50	48,50	19
	3/4" NPTF	432.1114BE	432.1014BE														21
	1 1/16"-12h UN(ORB)	432.1114GK	432.1014GK														21
25	1" BSP	432.1115AF	432.1015AF	350Bar	46	114,50	65	65	80	159,50	115	27,50	57	13,90	8,50	50,50	25
	1" NPTF	432.1115BF	432.1015BF														25
	1 1/4" BSP	432.1115AG	432.1015AG														31
	1 1/4" NPTF	432.1115BG	432.1015BG														25
	1 1/2" BSP	432.1115AH	432.1015AH														32
	1 1/2" NPTF	432.1115BH	432.1015BH														25
	1 5/16"-12h UN(ORB)	432.1115GO	432.1015GO														25



432-2





432 SERIES

V3MT DIN 2353



Calibrated steel manufacturing.
Available with or without mounting holes.
Thread combination available upon request of minimum quantities.

• Materials

Carbon Steel *EN -10277-3*

Seals: **NBR, Viton or EPDM**

Seating Ball: **P.O.M (Delrin®)**

Handle: **ZAMAK-5**

• Working temperature (Seals)

	NBR	Viton	EPDM
	+100°C	+200°C	+150°C
	-30°C	-10°C	-40°C

- **Applications:** Designed for Oil hydraulic Applications according to European Directive 97.23.EC Hammer Application

• **Sectors:** Industrial, Agricultural.



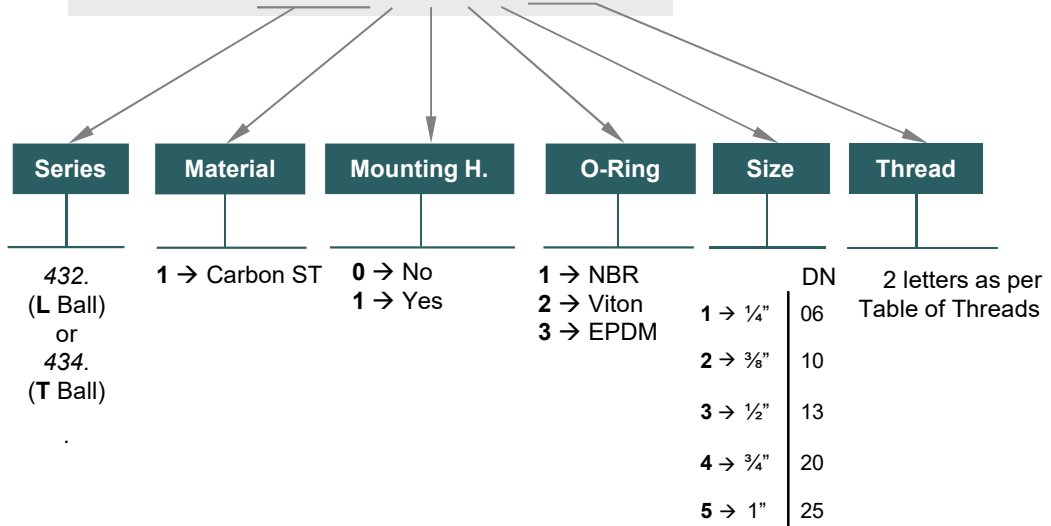
• Equivalence

PISTER BK3
MHA BK3
HYDAC KHB3k

MODEL STRUCTURE

Example:

432.1013 KD



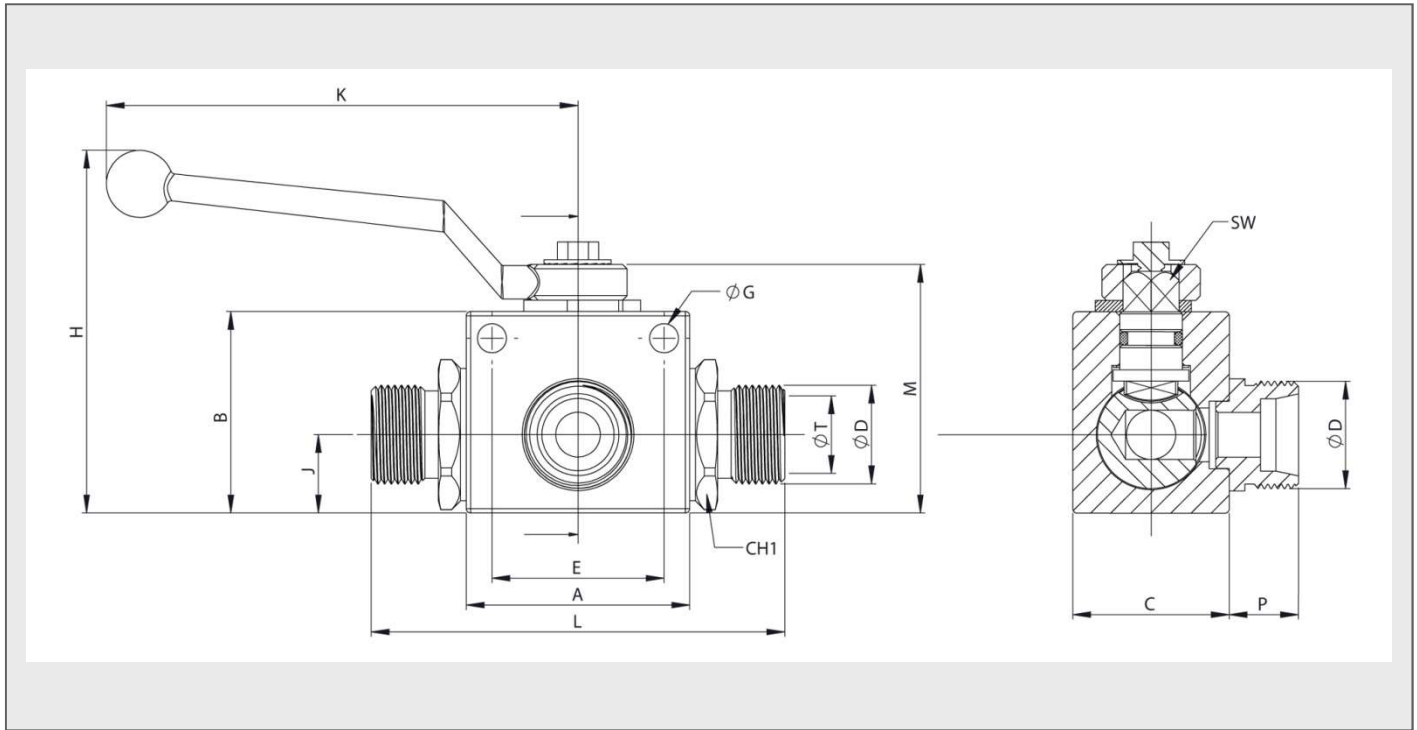
432-3






432 SERIES

V3MT DIN 2353



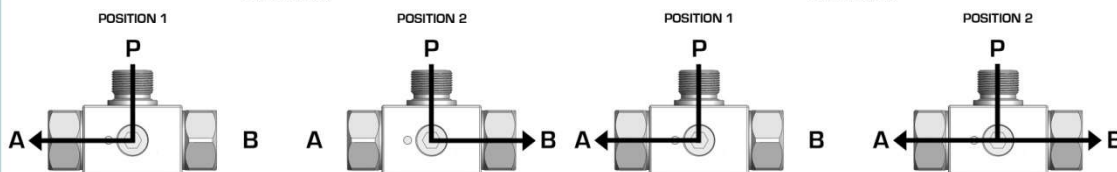
(A dimension)

STANDARD MODELS

DN	D	ØT	With M.H.	Without M.H.		CH1	L	A	B	M	K	H	J	C	SW	ØG	E	P			
06	M12x1,5	6L	432.1111JB	432.1011JB	500Bar	22	78,60														
	M14x1,5	8L	432.1111JC	432.1011JC			79,60														13
	M16x1,5	10L	432.1111JD	432.1011JD			78,60	40	35	45,50	105,50	71	13	26	8,90	4,50	31,50				
	M16x1,5	8S	432.1111KD	432.1011KD			79,60														14
	M18x1,5	10S	432.1111KE	432.1011KE			79,60														14
10	M16x1,5	10L	432.1112JD	432.1012JD	500Bar	27	77,40														
	M18x1,5	12L	432.1112JE	432.1012JE			77,40														14
	M22x1,5	15L	432.1112JG	432.1012JG			79,40	45	40	50,50	105,50	76	16	32	8,90	5,20	31,50				
	M20x1,5	12S	432.1112KF	432.1012KF																	24
	M22x1,5	14S	432.1112KG	432.1012KG																	
13	M22x1,5	15L	432.1113JG	432.1013JG	400Bar	30	92,50														
	M26x1,5	18L	432.1113JI	432.1013JI			92,50	50	45	55,50	105,50	81	17,50	35	8,90	6,50	38,50	15,50			
	M24x1,5	16S	432.1113KH	432.1013KH																	
	M30x2	20S	432.1113KJ	432.1013KJ			98,50														
	M30x2	22L	432.1114JJ	432.1014JJ			108,40														
20	M30x2	20S	432.1114KJ	432.1014KJ	400Bar	41	114,40	60	58	73	159,50	108	23	50	13,90	6,50	48,50	17			
	M36x2	25S	432.1114KK	432.1014KK			114,40														
	M36x2	25S	432.1114KK	432.1014KK																	
25	M36x2	28L	432.1115JK	432.1015JK	350Bar	46	128,50	65	65	80	159,50	115	27,50	57	13,90	8,50	50,50	25			
	M42x2	30S	432.1115KL	432.1015KL																	

TYPE "L" BALL

TYPE "T" BALL



432-4

