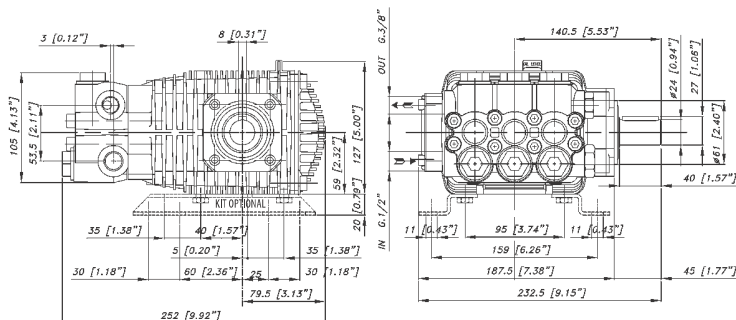


| Caratteristiche - Specifications | |
|----------------------------------|-------------------------------|
| IN | Ø 1/2 BSP |
| | Press. Min. -0.1 bar -1.5 psi |
| | Press. Max. 6 bar 87 psi |
| | Temp. Max. 60° C 140° F |
| OUT | Ø 3/8 BSP |
| SHAFT | Ø 24 mm |
| OIL | SAE 75W 90 0.7 Lt 0.18 U.S.G. |
| WEIGHT | Kg. / lbs 9.5/21 |
| SEALS | Type |

| CODICE CODE | MODELLO MODEL | Press. Max Max Pres. | | RPM 950 | | | | RPM 1450 | | | | RPM 1725 | | | | Pist. Plung. Dia. mm | Corsa Stroke mm |
|--------------|-----------------|----------------------|------|----------------|-----|-----------------|-----|----------------|-----|-----------------|------|----------------|-----|-----------------|------|----------------------|-----------------|
| | | bar | psi | Portata / Flow | | Potenza / Power | | Portata / Flow | | Potenza / Power | | Portata / Flow | | Potenza / Power | | | |
| 07.1000.97.A | TML 1220 | 200 | 2900 | 8 | 2,1 | 3,0 | 4,0 | 12 | 3,2 | 4,7 | 6,3 | 14 | 3,7 | 5,3 | 7,1 | 18 | 11,2 |
| 07.1001.97.A | TML 1320 | 200 | 2900 | 9 | 2,4 | 3,3 | 4,4 | 13 | 3,4 | 5,1 | 6,8 | 15 | 4,0 | 5,9 | 7,9 | 18 | 12,4 |
| 07.1002.97.A | TML 1520 | 200 | 2900 | 10 | 2,6 | 3,8 | 5,2 | 15 | 4,0 | 5,9 | 7,9 | 18 | 4,8 | 6,8 | 9,2 | 18 | 14,4 |
| 07.1004.97.A | TML 1720 | 200 | 2900 | 11 | 2,9 | 4,3 | 5,7 | 17 | 4,5 | 6,7 | 9,0 | 20 | 5,3 | 7,6 | 10,2 | 18 | 16 |
| 07.1006.97.A | TML 2020 | 200 | 2900 | 13 | 3,4 | 5,0 | 6,7 | 20 | 5,3 | 7,8 | 10,5 | 23 | 6,1 | 8,9 | 11,9 | 18 | 18,7 |



| Caratteristiche - Specifications | |
|----------------------------------|-------------------------------|
| IN | Ø 1/2 BSP |
| | Press. Min. -0.1 bar -1.5 psi |
| | Press. Max. 6 bar 87 psi |
| | Temp. Max. 74° C 165° F |
| OUT | Ø 3/8 BSP |
| SHAFT | Ø 24 mm |
| OIL | SAE 75W 90 0.7 Lt 0.18 U.S.G. |
| WEIGHT | Kg. / lbs 10/22 |
| SEALS | Type |

| CODICE CODE | MODELLO MODEL | Press. Max Max Pres. | | RPM 950 | | | | RPM 1450 | | | | RPM 1725 | | | | Pist. Plung. Dia. mm | Corsa Stroke mm |
|--------------|-----------------|----------------------|------|----------------|-----|-----------------|-----|----------------|-----|-----------------|------|----------------|-----|-----------------|------|----------------------|-----------------|
| | | bar | psi | Portata / Flow | | Potenza / Power | | Portata / Flow | | Potenza / Power | | Portata / Flow | | Potenza / Power | | | |
| 07.1028.97.3 | TML 2120 | 200 | 2900 | 14 | 3,7 | 5,3 | 7,1 | 21 | 5,5 | 8,3 | 11,1 | 24 | 6,3 | 9,4 | 12,6 | 20 | 16 |
| 07.1029.97.3 | TML 2420 | 200 | 2900 | 16 | 4,2 | 6,2 | 8,3 | 24 | 6,3 | 9,4 | 12,6 | - | - | - | - | 20 | 18,7 |
| 07.1047.97.3 | TML 3016 | 160 | 2320 | 19 | 5,0 | 6,0 | 8,0 | 29 | 7,7 | 9,1 | 12,2 | - | - | - | - | 22 | 18,7 |