



EQUIPAGGIAMENTI
TECNICI
LAVAGGIO

40.0290.00

Lancia schiuma x ARS178 – Inox
Foam lance x ARS 178 – Stainless Steel



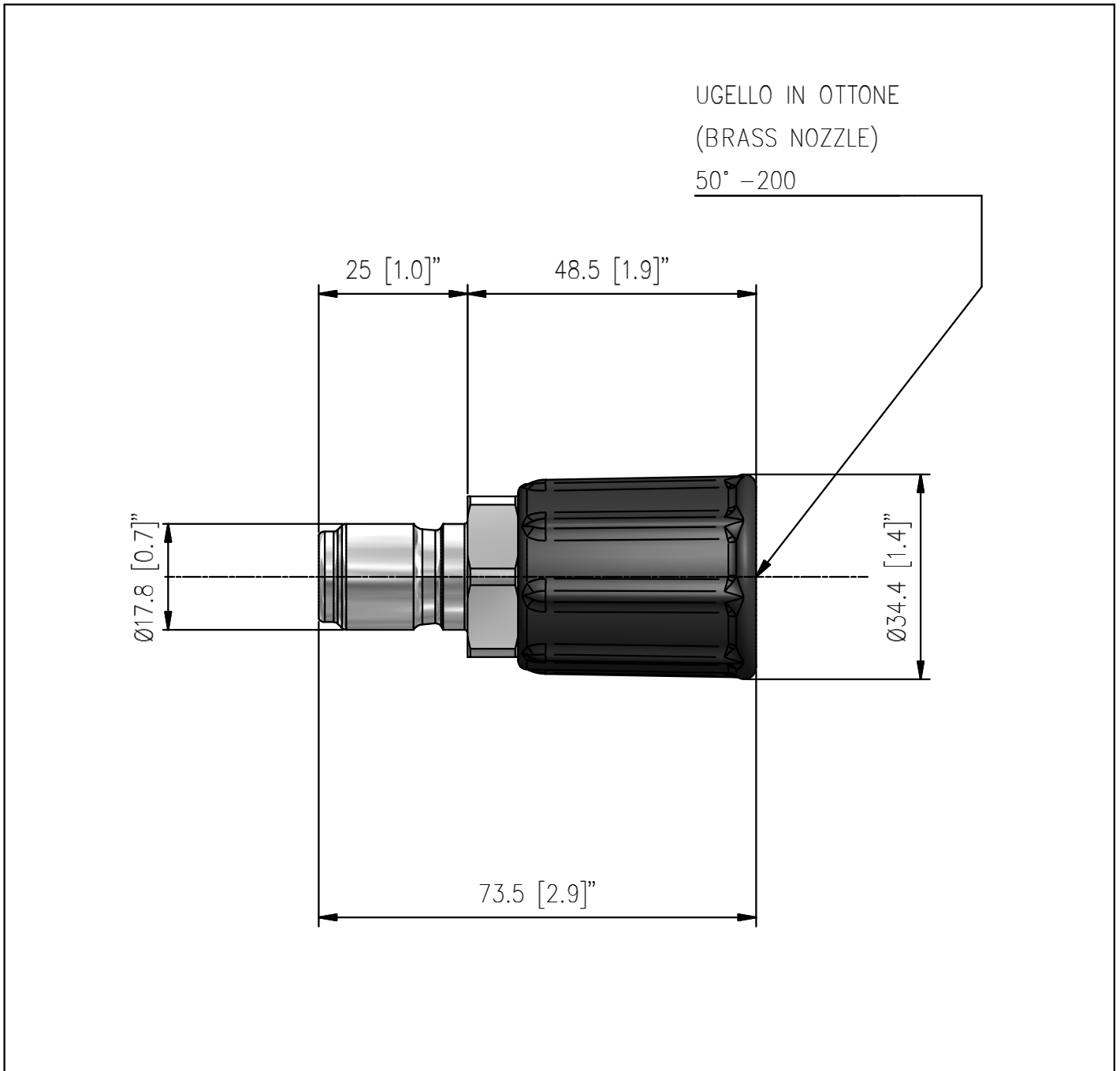
3

04/02/11

CARATTERISTICHE TECNICHE – SPECIFICATIONS

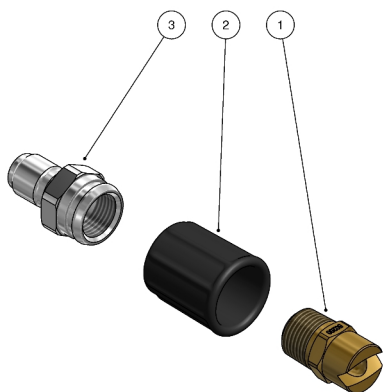
– PRESSIONE NOMINALE <i>RATED PRESSURE</i>	125 bar – 12.5 MPa (1825 psi)
– PRESSIONE CONSENTITA <i>PERMISSIBLE PRESSURE</i>	140 bar – 14 MPa (2025 psi)
– PORTATA MASSIMA <i>MAX FLOW RATE</i>	50 l/min (13.2 USG p.m.)
– TEMPERATURA MASSIMA <i>MAX WORKING TEMPERATURE</i>	90° C (195° F)
– MASSA <i>WEIGHT</i>	143 g (5.04 oz.)

MISURE D'INGOMBRO – OVERALL DIMENSIONS




40.0290.00 Prol.Ars 178+ugello 50/200 ot+prot.nera

40.0290.60 Prol.Ars 178+ugello 50/200 ot+prot.blù



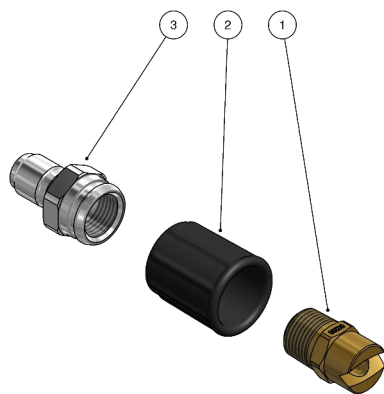
40.0290.80 Prol.Ars 178+ugello 50/200 in+prot.blù

Pos.	Codice	Descrizione	Q.tà	K1	K2	K3	K4	
1	16.1360.20	Ugello Bp 50° .200 Gc1/2 ott-	1					3
1	16.1361.20	Ugello Bp 50° .200 Gc1/2 inox (1)	1					2
2	40.0283.84R	Protezione ugello nera (2)	1					1
2	40.0285.84R	Protezione ugello blù	1					1
3	40.0291.51RARS178L	A.r.sfera A G1/2F-p/ugello	1					3


(1) 40.0290.80 (2) 40.0290.00

40.0290.00 Ext. Ars178+br.nozzl. 50/200+bl.tip.pr

40.0290.60 Ext. Ars178+br.nozzl. 50/200+blue tip.pr



40.0290.80 Ext. Ars178+sst.nozzl. 50/200+blue tip.pr

Pos.	P/N	Description	Q.ty	K1	K2	K3	K4	
1	16.1360.20	Brass nozzle 50°.200 1/2 Bst	1					3
1	16.1361.20	Sst nozzle 50°.200 1/2 Bst (1)	1					2
2	40.0283.84R	Nozzle protection, black (2)	1					1
2	40.0285.84R	Nozzle protection, blue	1					1
3	40.0291.51R	Nozzle Holder, Ars 178- 1/2F Bsp- Sst.	1					3

(1) 40.0290.80 (2) 40.0290.00