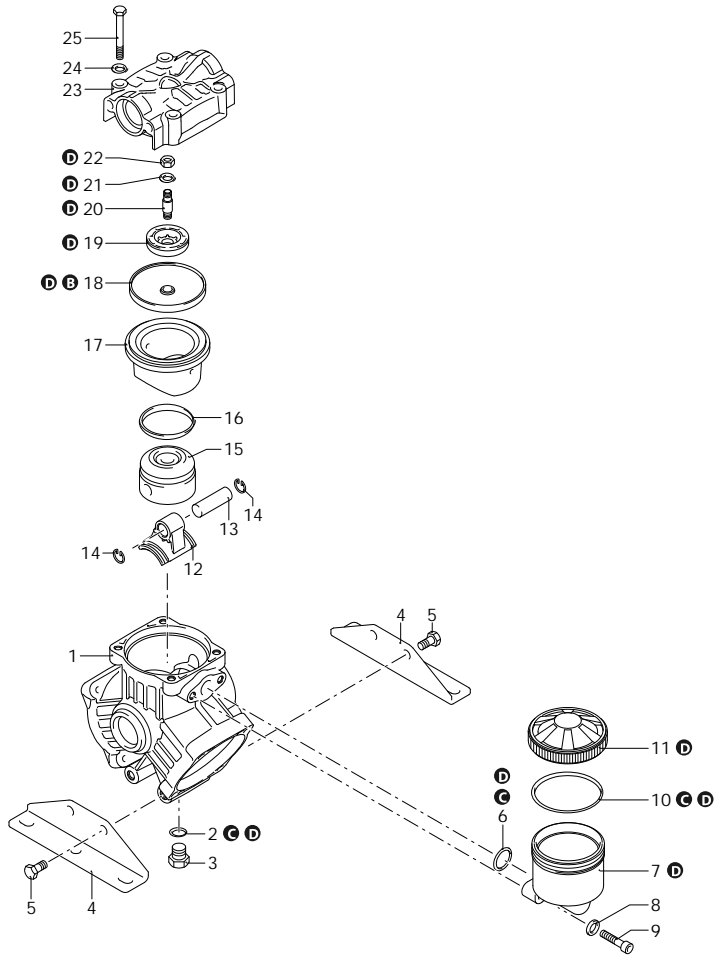




AR 75 BP

33185 AR 75 BP SP - NBR



Code	Description	Q	Note
1	4800010 Pump body		1
2	820510 O-ring	Ø 10,82x1,78	1
3	880581 Plug	1/4" G	1 C=20Nm / Loxeal 24-18
4	4800060 Foot		2
5	650640 Screw	TCEI M10x25	4 C=50Nm
6	390180 O-ring	Ø 18,72x2,62	1 Lubricate with motor oil
7	4700030 Tank		1
8	380243 Washer		2
9	620611 Screw	TCEI M8x30	2 C=10Nm
10	1040060 O-ring	Ø 72,69x2,62	1 Lubricate Molykote Longterm W2
11	750050 Plug	red	1
12	4800040 Connecting-rod		3
13	380300 Pin		3 Lubrificate with Mineral Grease
14	380080 Ring	seeger Øi 14	6
15	4800190 Piston		3
16	4800200 Piston ring		3
17	4800210 Sleeve		3
18	3120080 Diaphragm	NBR - Øe 90	3
19	4800020 Plate		3
20	3120100 Hub pin		3 C=25Nm / Loxeal 83-21
21	3120760 Washer		3
22	3120110 Nut	M8	3 C=20Nm
23	4800030 Head		3
24	390314 Washer		12
25	800862 Screw	TCEI M8x55	12 C=20Nm
A	42524 Valve kit		1
B	42521 Diaphragms kit	NBR	1
C	46143 O-ring kit		1
D	47450 Maintenance repair kit	NBR	1
E	47185 Tank kit		1

AR_01_039_v01

Customer: AR
Customer Code:



SAE 30
0,550 Kg

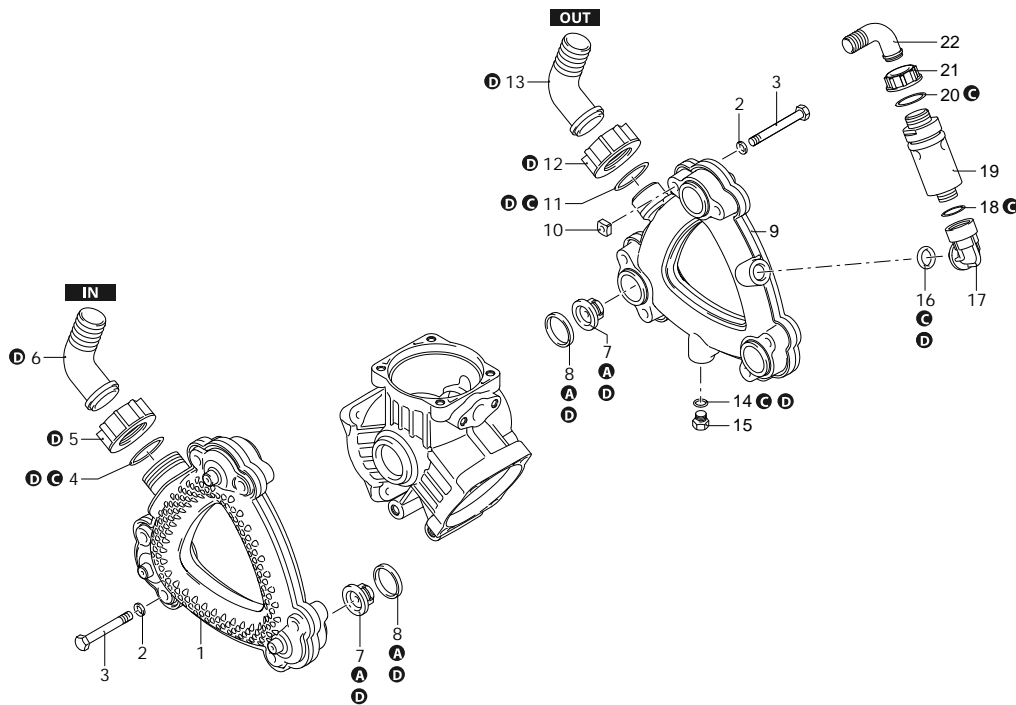
Revision: 1

Date: 25/08/2023



AR 75 BP

33185 AR 75 BP SP - NBR



Code	Description		Q	Note
1	4800110	Line	intake	1
2	390314	Washer		12
3	1140431	Screw	TCEI M8x75	12 C=15Nm
4	550040	O-ring	Ø 26,65x2,62	1 Lubricate with motor oil
5	651100	Ring nut	1" 1/4 G	1
6	4800360	Hose tail	Ø 30	1
7	3129050	Complete valve		6
8	3120230	Gasket		6 Lubricate with P-40 Grease
9	4800130	Line	delivery	1
10	3120511	Nut	M8	12
11	1140450	O-ring	Ø 20,24x2,62	1 Lubricate Molykote PG54
12	3120440	Ring nut	1" G	1
13	3120460	Elbow	Ø 25	1
14	2840890	O-ring	Ø 14x2	1 Lubricate Molykote PG54
15	3120690	Plug	3/8" G	1 C=2Nm
16	2440230	O-ring		1
17	3460330	Fitting	3/8" G - 1/2" G (M-F)	1 C=2Nm
18	180101	O-ring	Ø 17,5x2	1 Lubricate with motor oil
19	1609000	Safety valve	20 bar	20 Loxeal 24-18
20	880831	O-ring	Ø 15,54x2,62 Viton	1 Lubricate Molykote G-807
21	550450	Ring nut	3/4" G	1
22	550460	Elbow	Ø 18	1
A	42524	Valve kit		1
B	42521	Diaphragms kit	NBR	1
C	46143	O-ring kit		1
D	47450	Maintenance repair kit	NBR	1

AR_02_014_v01

Customer: AR
Customer Code:



SAE 30
0,550 Kg

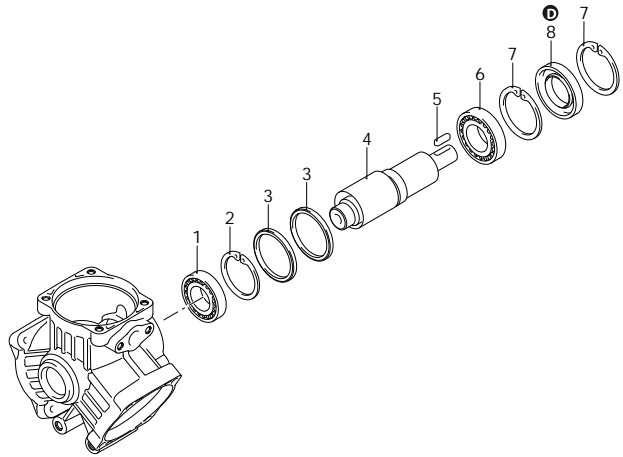
Revision: 1

Date: 25/08/2023



AR 75 BP

33185 AR 75 BP SP - NBR



Code	Description	Q	Note
1	1320370 Bearing	1	Press Mount
2	1260790 Ring	1	
3	3460090 Ring	2	
4	4800320 Shaft	1	
5	2460480 Key	1	
6	621130 Bearing	1	Press Mount
7	200390 Ring	2	
8	230380 Ring	1	Lubricate Molykote PG54
A	42524 Valve kit	1	
B	42521 Diaphragms kit	1	
C	46143 O-ring kit	1	
D	47450 Maintenance repair kit	1	

AR_03_069_v01

Customer: AR
Customer Code:



SAE 30
0,550 Kg

Revision: 1

Date: 25/08/2023