

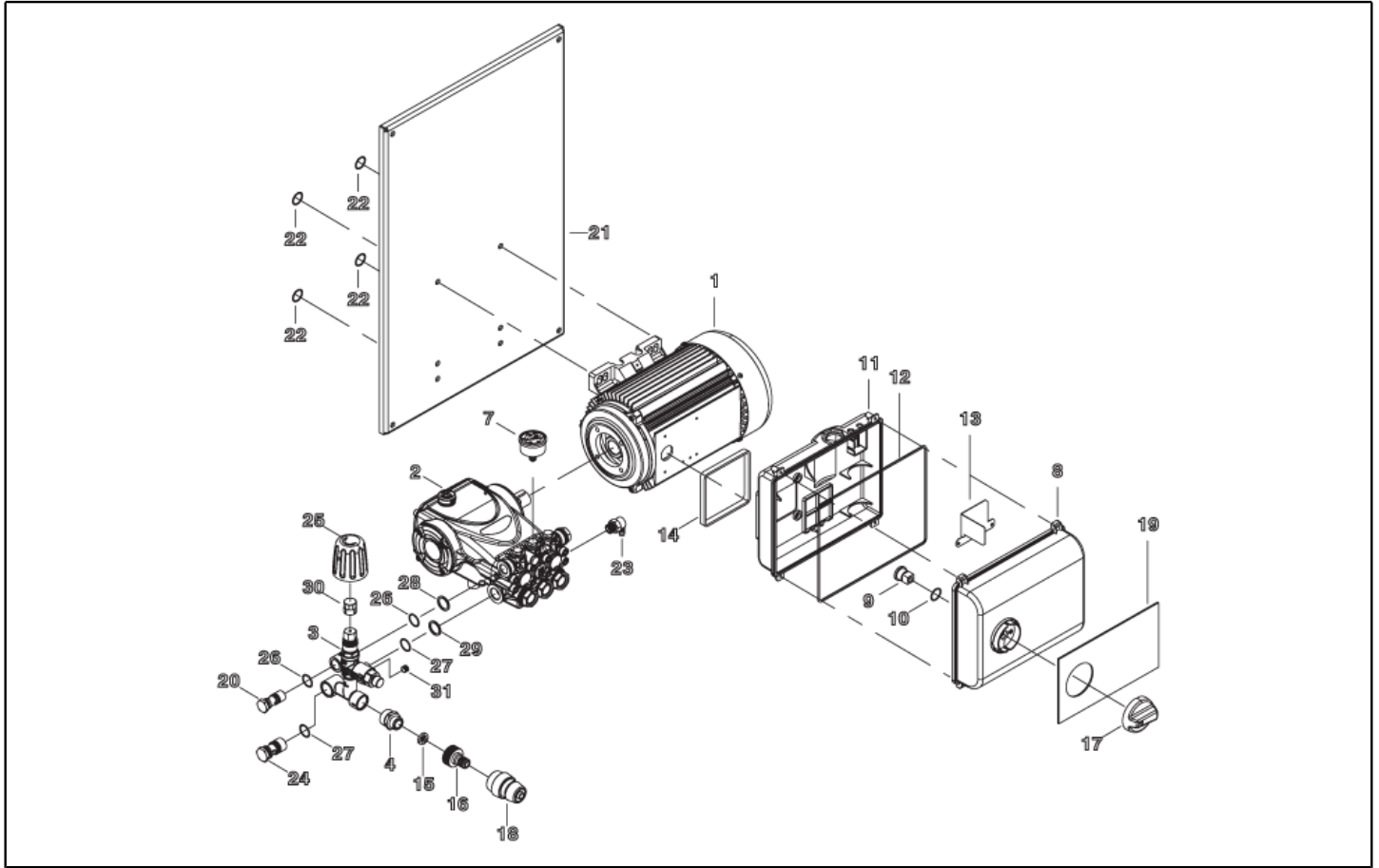


IPC

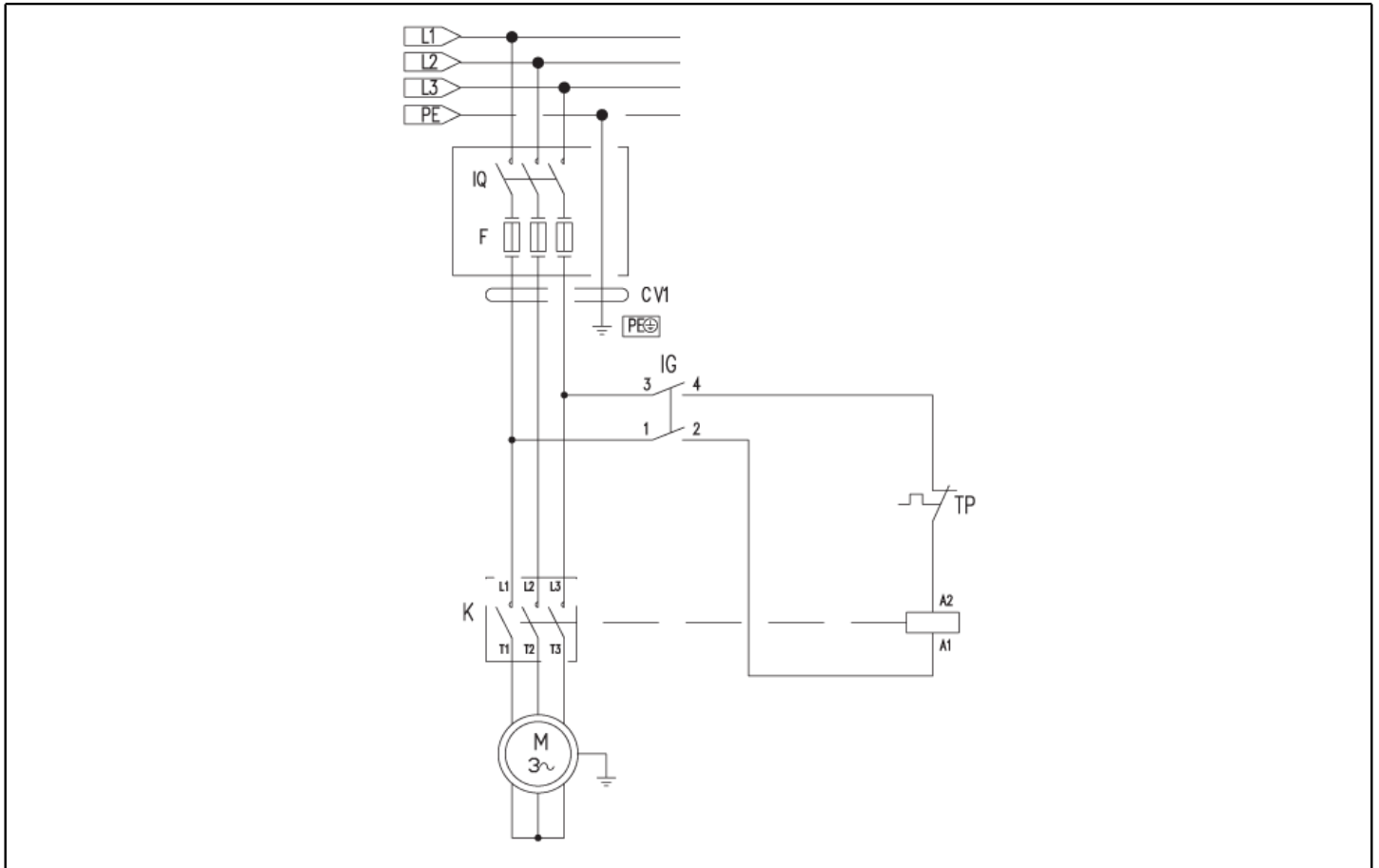
Spare parts list

Ref: PPEL40086

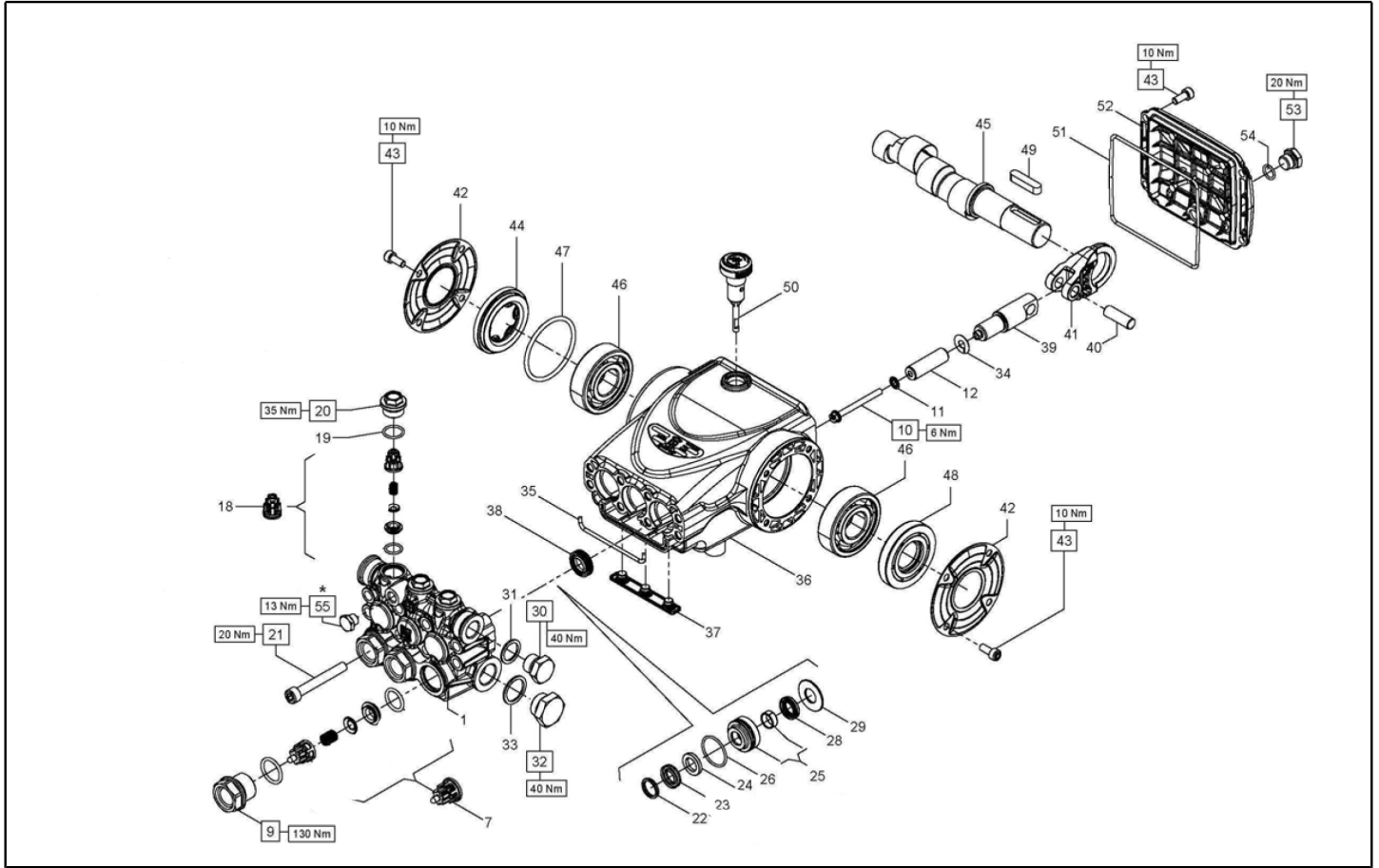
Model: H.P. CLEANER MLC-C 1915Pi T400/50 IRS



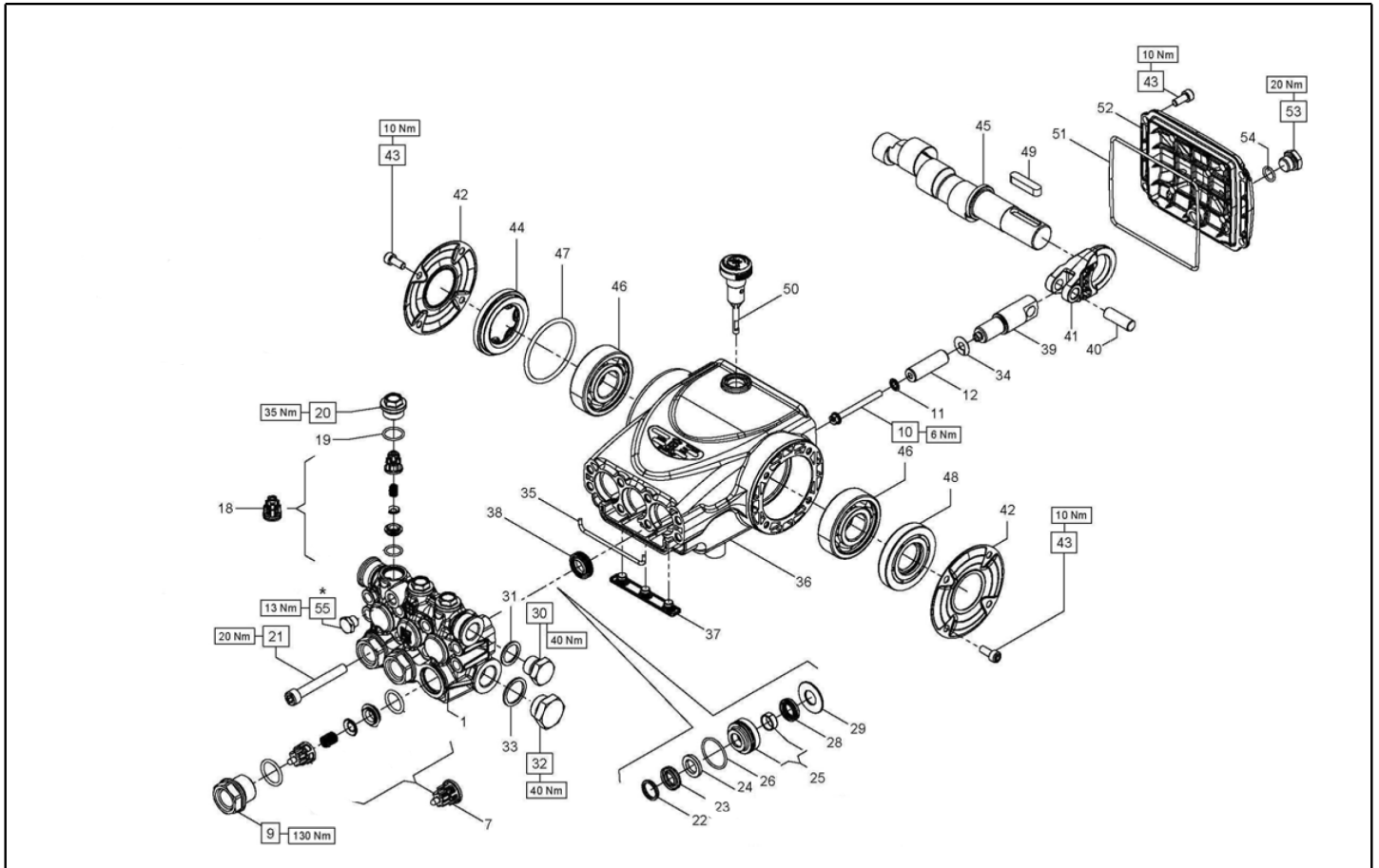
| Ref. K | Part n. | Customer part n. | Description | Quantity | Validity | | Price |
|--------|-----------|------------------|--|----------|------------|------------|-------|
| | | | | | From | To | |
| 0001 | MOTR40034 | | 3PH MOTOR C40/AC HP 6.0 2/4-50 4P R | 1,00 | | | -- |
| 0002 | PPAP40127 | | PUMP "E2" B 2014 DX OT. | 1,00 | | | -- |
| 0003 | VVAZ40083 | | VALVE VRF-2 EVO PPr.S/IN.M22 | 1,00 | | | -- |
| 0004 | RCDS87610 | 00087610 | NIPPLE 3/4 - 1/2 CB D.13.0 | 1,00 | | | -- |
| 0007 | MNMN93800 | | PRESSURE GAUGE 1/8 POST. 0-300 D.40 S/ST | 1,00 | | | -- |
| 0008 | MPVR40335 | | BOX COVER PW-C40 ABS BK. | 1,00 | | | -- |
| 0009 | MPVR23482 | 00023482 | SWITCH TANG TEC. TUV | 1,00 | | | -- |
| 0010 | GUGO25527 | 00025527 | O-RING D. 14 X 3 NBR 70SH | 1,00 | | | -- |
| 0011 | MPVR40334 | | CONTROL BOX PW-C4/50 ABS BK. | 1,00 | | | -- |
| 0012 | GUGO33675 | 00033675 | JOINT MOUSSE D. 4 | 0,90 | | | -- |
| 0013 | LAFN40458 | | SUPPORT PW-C40 INX | 1,00 | | 30/06/2016 | -- |
| 0013 | LAFN40830 | | SUPPORT PW-C85 INX | 1,00 | 01/07/2016 | | -- |
| 0014 | GUGO10881 | 00010881 | GASKET M.EL. 73X73 | 1,00 | | | -- |
| 0015 | FTDT12702 | 00012702 | FILTER PA | 1,00 | | | -- |
| 0016 | RCVR29600 | 00029600 | SOCKET PTC 3/4 F | 1,00 | | | -- |
| 0017 | MPVR49057 | 00049057 | BLACK KNOB P176-M.RACE PA6 | 1,00 | | | -- |
| 0018 | RCVR29602 | 00029602 | CONNECTOR D. 1/2"-5/8" PTC | 1,00 | | | -- |
| 0019 | ETET40714 | | LABEL GR. MPU-C IPC | 1,00 | | | -- |
| 0020 | RCDS40172 | | SCREW 3/8 VRF-2 OT 4F. | 1,00 | | | -- |
| 0021 | LAFN40673 | | SUPPORT BRACKET MPU-C AL. | 1,00 | | | -- |
| 0022 | MPVR37393 | 00037393 | RUBBER D. 10-30 L=13 70SH PRM | 4,00 | | | -- |
| 0023 | VVSC40550 | 00040550 | VALVE 1/2" 56°C | 1,00 | | | -- |
| 0024 | RCDS40171 | | SCREW G 1/2 VRF-2 OT. 2F. | 1,00 | | | -- |
| 0025 | MPVR40589 | | BLACK KNOB ST 260 IPC | 1,00 | | | -- |
| 0026 | GUGO03510 | 00003510 | O-RING D. 12.37 X 2.62 NBR 70SH | 2,00 | | | -- |
| 0027 | GUGO01048 | 00001048 | O-RING D. 15.88 X 2.62 NBR 70SH | 2,00 | | | -- |
| 0028 | VTRS00548 | 00000548 | WASHER D.17,5X23X1,5 (3/8)RM | 1,00 | | | -- |
| 0029 | VTRS00549 | 00000549 | WASHER D.21,5X27X1,5 (1/2) RM | 1,00 | | | -- |
| 0030 | PVVR40273 | | ADAPTER VRF-2 RG. | 1,00 | | | -- |
| 0031 | RCVR40096 | | CAP 1/8 M OT.NIK EI | 1,00 | | | -- |
| 9999 | UGLN49987 | 00049987 | NOZZLE LECH 1/4 15045 | 1,00 | | | -- |



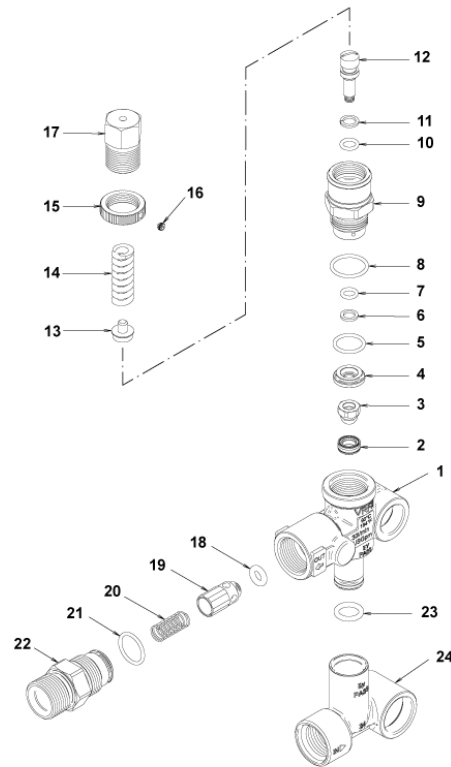
| Ref. K | Part n. | Customer part n. | Description | Quantity | Validity | | Price |
|--------|-----------|------------------|-----------------------------------|----------|------------|------------|-------|
| | | | | | From | To | |
| K | METT40013 | | CONTACTOR SIE 3RT 2017-1AV01 400V | 1,00 | 15/10/2014 | | -- |
| K | METT40664 | 00040664 | CONTACTOR SIE 3RT 1017 1AV01 400V | 1,00 | | 14/10/2014 | -- |
| IG | MECI40020 | | SWITCH BRM BP. 0-1 12A | 1,00 | 20/10/2014 | | -- |
| IG | MECI40022 | | SWITCH BRM BP. 0-1 20A | 1,00 | | 19/10/2014 | -- |
| CV1 | MECB40002 | | CABLE H07 RNF 4X1.5 L=6.500 | 1,00 | | | -- |



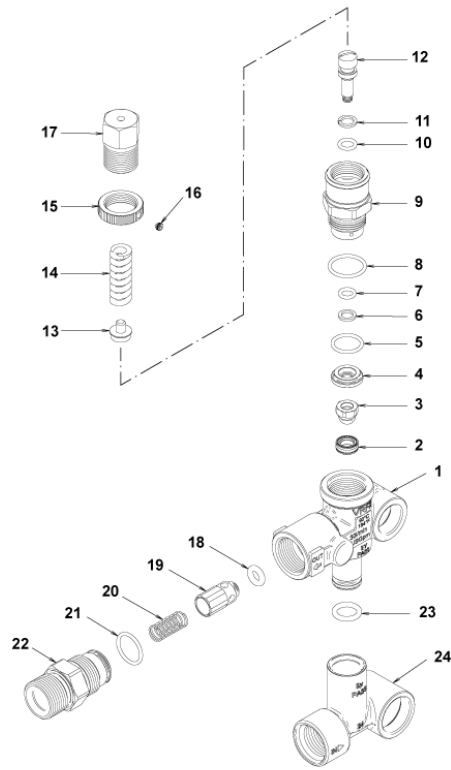
| Ref. K | Part n. | Customer part n. | Description | Quantity | Validity | | Price |
|--------|--------------|------------------|----------------------------------|----------|----------|----|-------|
| | | | | | From | To | |
| 0001 | MFVR40070 | | HEAD "58" E2 D.18 OT | 1,00 | | | -- |
| 0007 | S VVAM28467 | 00028467 | VALVE UNIT "44" WW136-186 | 3,00 | | | -- |
| 0008 | S GUGO01033 | 00001033 | O-RING D. 20.24 X 2.62 NBR 90SH | 3,00 | | | -- |
| 0009 | S RCDS28466 | 00028466 | CAP M24X1.5X17 "44" | 3,00 | | | -- |
| 0010 | VTVT00679 | | SCREW TE M 5X 55 UNI 5737 ZC | 3,00 | | | -- |
| 0011 | VTRS40037 | | WASHER D. 5.0X11.5X0.4 | 3,00 | | | -- |
| 0012 | PIVR40017 | | PISTON D.18X42 "58" | 3,00 | | | -- |
| 0018 | S VVAM40009 | | VALVE UNIT "58" E2-MD. | 3,00 | | | -- |
| 0019 | S GUGO03505 | 00003505 | O-RING D. 15.6 X 1.78 NBR 70SH | 3,00 | | | -- |
| 0020 | S PVVR40492 | | CAP M18X1.5X10 EVO.OT | 3,00 | | | -- |
| 0021 | VTVT01121 | 00001121 | SCREW TCEI 8X60 UNI5931 | 8,00 | | | -- |
| 0022 | S PVVR40496 | | HEAD RING D. 18 "58" | 3,00 | | | -- |
| 0023 | S GUVVR40103 | | PACKING D. 18 HP "58E2" | 3,00 | | | -- |
| 0024 | S GUVVR40104 | | ANTI-EXTR.RING D.18 X28 X2 | 3,00 | | | -- |
| 0025 | S PVVR40497 | | PACKING RETAIN. D. 18 "58E2" | 3,00 | | | -- |
| 0026 | S GUGO18855 | 00018855 | O-RING D. 26.70 X 1.78 NBR 70SH | 3,00 | | | -- |
| 0028 | S GUVVR46029 | 00046029 | PACKING D. 18 L.P. "63" | 3,00 | | | -- |
| 0029 | S PVVR40498 | | RING D.18 "58" | 3,00 | | | -- |
| 0030 | S RCDS01090 | 00001090 | CAP 3/8X13 M WW90 | 1,00 | | | -- |
| 0031 | VTRS01074 | 00001074 | WASHER D.17,05X22,3 X1,5 | 1,00 | | | -- |
| 0032 | RCDS01091 | 00001091 | CAP 1/2X10 M | 1,00 | | | -- |
| 0033 | VTRS00549 | 00000549 | WASHER D.21,5X27X1.5 (1/2) RM | 1,00 | | | -- |
| 0034 | VTRS40038 | | WASHER D. 7.5X23 X0.5 | 3,00 | | | -- |
| 0035 | GUVVR40105 | | GASKET D. 3X 94 | 1,00 | | | -- |
| 0036 | MFVR40071 | | PUMP CRANKCASE "58" E2 | 1,00 | | | -- |
| 0037 | PVVR40499 | | PROTECTION INF. "58" | 1,00 | | | -- |
| 0038 | S GUGO40076 | | OIL SEAL 15X 24X 5/7 NBR70 | 3,00 | | | -- |
| 0039 | PVVR40500 | | PISTON GUIDE "58" EVO.2 | 3,00 | | | -- |
| 0040 | PVVR28458 | 00028458 | GUDGEON D.10X29.5 "44" | 3,00 | | | -- |
| 0041 | BLVR40008 | | CONNECTING ROD "58" EVO.2 | 3,00 | | | -- |
| 0042 | MFVR40072 | | CRANKCASE COVER "58" LT. EVO.2 | 2,00 | | | -- |
| 0043 | VTVT01114 | 00001114 | SCREW TCEI 6X14 UNI 5931 | 12,00 | | | -- |
| 0044 | MFVR28454 | 00028454 | SPACER "44" | 1,00 | | | -- |
| 0045 | ALMO40040 | | SHAFT "58" N C.13 D.24 | 1,00 | | | -- |
| 0046 | CUVR09654 | 00009654 | BALL BEARING 6305 | 2,00 | | | -- |
| 0047 | GUGO01040 | 00001040 | O-RING D. 55.56 X 3.53 NBR 70SH | 1,00 | | | -- |
| 0048 | GUGO28465 | 00028465 | OIL SEAL 25X 62X10 NBR70 | 1,00 | | | -- |
| 0049 | VTVR09510 | 00009510 | KEY 8X7X35 | 1,00 | | | -- |
| 0050 | PVVR40501 | | OIL DIPSTICK G 3/8" X51 | 1,00 | | | -- |
| 0051 | GUGO40077 | | O-RING D. 113.97 X 2.62 NBR 70SH | 1,00 | | | -- |
| 0052 | MFVR40073 | | CRANKCASE COVER "58" EVO.2 | 1,00 | | | -- |
| 0053 | PVVR40502 | | CAP 1/4X 9 M TE17 ZC | 1,00 | | | -- |
| 0054 | GUGO01036 | 00001036 | O-RING D. 10.82 X 1.78 NBR 70SH | 1,00 | | | -- |
| 0055 | RCDS09704 | 00009704 | CAP G 1/8 KR | 1,00 | | | -- |



| Ref. Part n. | Cust. part n. | Description | Reference | Price |
|--------------|---------------|-------------------------|------------------------------------|-------|
| KTRI40404 | | KIT P 15-269 EVO.2 | 0007 0018 | -- |
| KTRI40405 | | KIT P 15-270 EVO.2 | 0008 0009 0019 0020 | -- |
| KTRI40406 | | KIT P 15-271 EVO.2 | 0038 | -- |
| KTRI40407 | | KIT P 15-274 D.18 EVO.2 | 0022 0023 0024 0026 0028 | -- |
| KTRI40408 | | KIT P 15-277 D.18 EVO.2 | 0022 0023 0024 0025 0026 0028 0029 | -- |



| Ref. K | Part n. | Customer part n. | Description | Quantity | Validity | | Price |
|--------|-------------|------------------|-----------------------------------|----------|----------|----|-------|
| | | | | | From | To | |
| 0001 | PVVR40375 | | VALVE BODY VRF2 +G1/8 F | 1,00 | | | -- |
| 0002 | S PVVR40363 | | VALVE SEAT MV124 +OR | 1,00 | | | -- |
| 0003 | S PVVR40364 | | COUPLING MV124 | 1,00 | | | -- |
| 0004 | S PVVR40365 | | SPACER MV124 | 1,00 | | | -- |
| 0005 | S GUGO12322 | 00012322 | O-RING D. 14 X 1.78 NBR 90SH | 1,00 | | | -- |
| 0006 | S GUVR40072 | | ANTI-EXTR.RING D. 6.5X 9.4 | 1,00 | | | -- |
| 0007 | S GUGO83861 | | O-RING D. 6.07 X 1.78 NBR 90SH | 1,00 | | | -- |
| 0008 | S GUGO24913 | 00024913 | O-RING D. 17.17 X 1.78 NBR 90SH | 1,00 | | | -- |
| 0009 | S PVVR40366 | | CONNECTOR VRF2 D.10 | 1,00 | | | -- |
| 0010 | S GUGO03500 | 00003500 | O-RING D. 6.75 X 1.78 NBR 70SH | 1,00 | | | -- |
| 0011 | S GUVR40073 | | ANTI-EXTR.RING D. 7.1X10 X1.2 TBT | 1,00 | | | -- |
| 0012 | S PVVR40367 | | SMALL PISTON D.10 VRF2 | 1,00 | | | -- |
| 0013 | PVVR40368 | | SPRING PLATE MV124 25B | 1,00 | | | -- |
| 0014 | MLML40027 | | SPRING D. 3.0/6.0 X38.85 | 1,00 | | | -- |
| 0015 | PVVR40369 | | RING NUT MV167.09 | 1,00 | | | -- |
| 0016 | VTVT89696 | | SCREW EI-ST 4X 4 UNI5927 ZC | 1,00 | | | -- |
| 0017 | PVVR40370 | | CAP VRF2 M18X1 | 1,00 | | | -- |
| 0018 | S GUGO46053 | 00046053 | O-RING D. 6 X 3 NBR 90SH | 1,00 | | | -- |
| 0019 | S PVVR40349 | | COUPLING VRT3 | 1,00 | | | -- |
| 0020 | S MLML40026 | | SPRING VRT3 | 1,00 | | | -- |
| 0021 | S GUGO12321 | 00012321 | O-RING D. 15.6 X 1.78 NBR 90SH | 1,00 | | | -- |
| 0022 | PVVR40374 | | CONNECTOR VRT3 M22 M | 1,00 | | | -- |
| 0023 | S GUGO11225 | 00011225 | O-RING D. 10.78 X 2.62 NBR 70SH | 1,00 | | | -- |
| 0024 | PVVR40503 | | CONNECTOR VRF2.19 EVO. | 1,00 | | | -- |



| Ref. Part n. | Cust. part n. | Description | Reference | Price |
|--------------|---------------|------------------------|---|-------|
| KTRI40236 | | KIT P 14-103 VRF2 | 0002 0003 0004 0005 0006 0007 0008 0009 0010 0011 0012 0018 0019 0020 0021 | -- |
| KTRI40237 | | KIT P 14-104 SEAL VRF2 | 0002 0003 0005 0006 0007 0008 0010 0011 0018 0021 | -- |