



INTERPUMPGROUP

E2

I
GB
F

ISTRUZIONI D'USO
INSTRUCTIONS FOR USE
MODE D'EMPLOI

D
E
P

BEDIENUNGSANLEITUNG
INSTRUCCIONES DE USO
INSTRUÇÕES DE USO

Questo manuale deve essere letto e compreso in accordo al libretto generico "Istruzioni d'uso e manutenzione".
This manual must be read and followed in accordance with the generic "Instructions for Use and Maintenance" booklet.

Ce manuel doit être lu et compris en accord avec la notice générale "Mode d'emploi et d'entretien".

Dieses Handbuch ist in Verbindung mit dem allgemeinen Handbuch "Gebrauchs- und Wartungsanleitung" zu lesen und zu verstehen.

Este manual debe leerse y comprenderse de acuerdo con el manual general "Instrucciones de uso y mantenimiento"

Este manual deve ser lido e interpretado de acordo com o livro genérico "Instruções de uso e manutenção"




58

S E R I E S

| Modello Model Modèle Modell Modelo | Portata Flow rate Débit Förderstrom Caudal Fluxo | | Pressione Pressure Pression Druck Presión Pressão | | | g/m rpm t/m upm r/m r/m | Potenza Power Puissance Leistung Potencia Poder | | Peso Weight Poids Gewicht Peso Peso | | |
|--|---|------|--|------|------|--|--|------|--|------|------|
| | L/min | gpm | bar | MPa | psi | | Hp | kW | Kg | Ibs | |
| E2B2008 | 7.5 | 1.98 | 200 | 20.0 | 2900 | 1450 | 3.90 | 2.87 | 7.0 | 15.4 | 0.45 |
| E2B2808 | 7.5 | 1.98 | 275 | 27.5 | 4000 | 1450 | 5.40 | 3.97 | 7.0 | 15.4 | 0.45 |
| E2B2010 | 10 | 2.64 | 200 | 20.0 | 2900 | 1450 | 5.20 | 3.82 | 7.0 | 15.4 | 0.45 |
| E2B1711 | 11 | 2.90 | 170 | 17.0 | 2465 | 1450 | 4.90 | 3.60 | 7.0 | 15.4 | 0.45 |
| E2B1712 | 12 | 3.17 | 170 | 17.0 | 2465 | 1450 | 5.30 | 3.90 | 7.0 | 15.4 | 0.45 |
| E2B1713 | 13 | 3.43 | 170 | 17.0 | 2465 | 1450 | 5.70 | 4.19 | 7.0 | 15.4 | 0.45 |
| E2B2014 | 14 | 3.69 | 200 | 20.0 | 2900 | 1450 | 7.30 | 5.37 | 7.0 | 15.4 | 0.45 |
| E2B2015 | 15 | 3.96 | 200 | 20.0 | 2900 | 1450 | 7.40 | 5.44 | 7.0 | 15.4 | 0.45 |
| E2B1618 | 18 | 4.76 | 160 | 16.0 | 2320 | 1450 | 7.48 | 5.50 | 7.0 | 15.4 | 0.45 |
| E2C2109 | 9 | 2.38 | 210 | 21.0 | 3045 | 1750 | 4.90 | 3.60 | 7.0 | 15.4 | 0.45 |
| E2C2809 | 9 | 2.38 | 275 | 27.5 | 4000 | 1750 | 6.40 | 4.71 | 7.0 | 15.4 | 0.45 |
| E2C2111 | 11 | 2.90 | 210 | 21.0 | 3045 | 1750 | 6.00 | 4.41 | 7.0 | 15.4 | 0.45 |
| E2C2112 | 12 | 3.17 | 210 | 21.0 | 3045 | 1750 | 6.50 | 4.78 | 7.0 | 15.4 | 0.45 |
| E2C1713 | 13 | 3.43 | 170 | 17.0 | 2465 | 1750 | 5.70 | 4.19 | 7.0 | 15.4 | 0.45 |
| E2C1714 | 14 | 3.69 | 170 | 17.0 | 2465 | 1750 | 6.20 | 4.56 | 7.0 | 15.4 | 0.45 |
| E2C1715 | 15 | 3.96 | 170 | 17.0 | 2465 | 1750 | 6.60 | 4.85 | 7.0 | 15.4 | 0.45 |
| E2C2016 | 16 | 4.22 | 200 | 20.0 | 2900 | 1750 | 8.30 | 6.10 | 7.0 | 15.4 | 0.45 |



58**S
E
R
I
E
S**

| Modello Model Modèle Modell Modelo Modelo | Portata Flow rate Débit Förderstrom Caudal Flujo | | Pressione Pressure Pression Druck Presión Pressão | | | g/m rpm t/m upm r/m r/m | Potenza Power Puissance Leistung Potencia Poder | | Peso Weight Poids Gewicht Peso Peso | |  |
|--|---|------|--|------|------|--|--|------|--|------|---|
| | L/min | gpm | bar | MPa | psi | | Hp | kW | Kg | Ibs | |
| E2D2010 | 9.5 | 2.50 | 200 | 20.0 | 2900 | 2800 | 4.90 | 3.60 | 7.0 | 15.4 | 0.45 |
| E2D2810 | 10 | 2.64 | 275 | 27.5 | 4000 | 2800 | 7.10 | 5.22 | 7.0 | 15.4 | 0.45 |
| E2D2011 | 11 | 2.90 | 200 | 20.0 | 2900 | 2800 | 5.70 | 4.19 | 7.0 | 15.4 | 0.45 |
| E2D2811 | 11 | 2.90 | 275 | 27.5 | 4000 | 2800 | 7.90 | 5.81 | 7.0 | 15.4 | 0.45 |
| E2D2812 | 12 | 3.17 | 275 | 27.5 | 4000 | 2800 | 8.60 | 6.32 | 7.0 | 15.4 | 0.45 |
| E2D2013 | 13 | 3.43 | 200 | 20.0 | 2900 | 2800 | 6.80 | 5.00 | 7.0 | 15.4 | 0.45 |
| E2D2813 | 13 | 3.43 | 275 | 27.5 | 4000 | 2800 | 9.30 | 6.84 | 7.0 | 15.4 | 0.45 |
| E2D2015 | 15 | 3.96 | 200 | 20.0 | 2900 | 2800 | 7.80 | 5.74 | 7.0 | 15.4 | 0.45 |
| E2D2016 | 16 | 4.22 | 200 | 20.0 | 2900 | 2800 | 8.30 | 6.10 | 7.0 | 15.4 | 0.45 |
| E2E2108 | 8 | 2.11 | 210 | 21.0 | 3045 | 3400 | 4.40 | 3.24 | 7.0 | 15.4 | 0.45 |
| E2E2808 | 8 | 2.11 | 275 | 27.5 | 4000 | 3400 | 5.70 | 4.19 | 7.0 | 15.4 | 0.45 |
| E2E2810 | 10 | 2.64 | 275 | 27.5 | 4000 | 3400 | 7.10 | 5.22 | 7.0 | 15.4 | 0.45 |
| E2E2111 | 11 | 2.90 | 210 | 21.0 | 3045 | 3400 | 6.00 | 4.41 | 7.0 | 15.4 | 0.45 |
| E2E2811 | 11 | 2.90 | 275 | 27.5 | 4000 | 3400 | 7.90 | 5.81 | 7.0 | 15.4 | 0.45 |
| E2E2812 | 12 | 3.17 | 275 | 27.5 | 4000 | 3400 | 8.60 | 6.32 | 7.0 | 15.4 | 0.45 |
| E2E2113 | 13 | 3.43 | 210 | 21.0 | 3045 | 3400 | 7.10 | 5.22 | 7.0 | 15.4 | 0.45 |
| E2E2813 | 13 | 3.43 | 275 | 27.5 | 4000 | 3400 | 9.30 | 6.84 | 7.0 | 15.4 | 0.45 |
| E2E2114 | 14 | 3.69 | 210 | 21.0 | 3045 | 3400 | 7.60 | 5.59 | 7.0 | 15.4 | 0.45 |
| E2E2815 | 15 | 3.96 | 275 | 27.5 | 4000 | 3400 | 10.70 | 7.87 | 7.0 | 15.4 | 0.45 |
| E2E2116 | 16 | 4.22 | 210 | 21.0 | 3045 | 3400 | 8.70 | 6.40 | 7.0 | 15.4 | 0.45 |

KIT RICAMBI – SPARE KITS

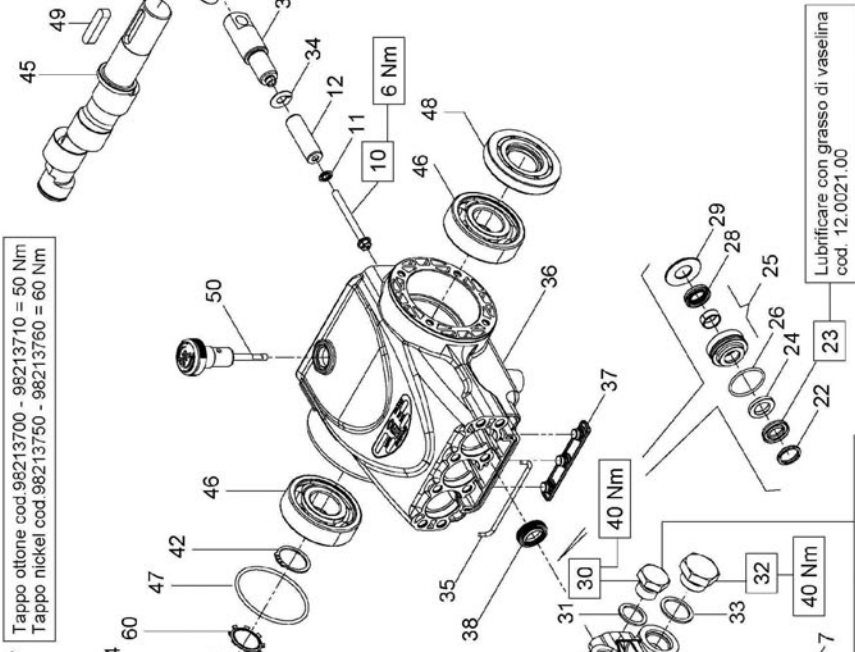
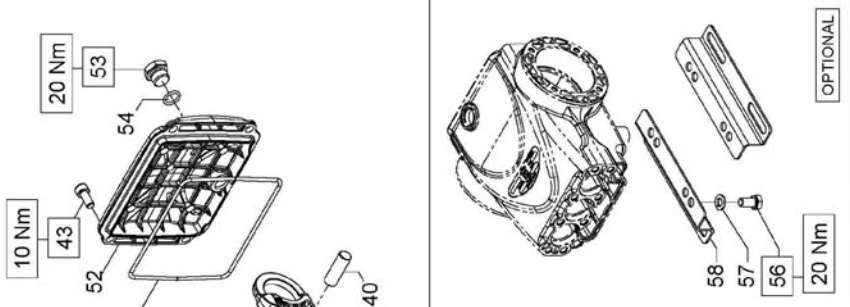
| KIT NR. | KIT 269 | KIT 270 | KIT 271 | PISTON - PISTONE D. 13 | | | PISTON - PISTONE D. 15 | | |
|--------------------------------------|--|------------------|---------|--------------------------|-------------------------------------|--------------------------|-------------------------------------|-------------------------------------|---------|
| | | | | KIT 272 | KIT 275 | KIT 273 | KIT 272 | KIT 275 | KIT 273 |
| Posizioni incluse Positions included | 2 - 3 - 4 5 - 6 - 13 14 - 15 - 16 17 - (7) - (18) | 8 - 9 19 - 20 | 38 | 22 - 23 24 - 26 28 | 22 - 23 24 - 25 26 - 28 29 | 22 - 23 24 - 26 28 | 22 - 23 24 - 25 26 - 28 29 | 22 - 23 24 - 25 26 - 28 29 | |
| Nr. Pcs. | 3 + 3 | 3 + 3 | 3 | 3 | 1 | 3 | 3 | 1 | |

| E2B2808 - E2B2808 - E2B2010 - E2C109 E2C2809 - E2C2111 - E2C2112 - E2D2010 E2D2810 - E2D2011 - E2D2811 - E2D2812 E2D2013 - E2D2813 - E2D2015 - E2D2016 E2E2108 - E2E2810 - E2E2111 E2E2812 - E2E2113 - E2E2813 - E2E2815 E2E2116 | |
|--|---|
| E2B2808 - E2C2809 - E2D2810 E2D2811 - E2C2112 - E2D2010 E2D2011 - E2D2013 - E2D2015 E2D2016 - E2E2108 - E2E2116 E2E2113 - E2E2111 | E2B2008 - E2B2010 - E2C2109 E2C2111 - E2C2112 - E2D2010 E2D2011 - E2D2013 - E2D2015 E2D2016 - E2E2108 - E2E2116 E2E2113 - E2E2111 |

| POS | COD. | DESCRIZIONE – DESCRIPTION - KIT | NR |
|-----|--|---|----|
| 41 | 58.0300.22 | Biella | 3 |
| 42 | 90.0635.00 | Anello d'arresto D. 25 | 1 |
| 43 | 99.1837.00 | Vite M6x14 UNI 5931 | 8 |
| 44 | 53.2108.51 | Vetrino spia livello olio | 1 |
| 45 | 63.0202.65 63.0205.65 63.0208.65 63.0212.35 63.0291.35 63.0216.35 63.0218.35 | Alb. ecc. C.5 - E2E2108 Alb. ecc. C.6.5 - E2D2010 E2E2808 E2E2111 Alb. ecc. C.8 - E2D2011 E2E2810 E2E2113 Alb. ecc. C.10 - E2B2008 E2D2810 E2E2116 E2C2109 E2D2013 E2E2812 Alb. ecc. C.11 - E2D2015 E2D2811 E2E2813 Alb. ecc. C.12 - E2C2111 E2D2016 E2D2812 Alb. ecc. C.13 - E2B2010 E2B2808 E2E2815 E2C2112 E2C2809 E2D2813 | 1 |
| 46 | 91.8331.00 | Cuscinetto a sfera | 2 |
| 47 | 90.3898.00 | OR D. 56.82x2.62 NBR 70SH 3225 | 1 |
| 48 | 90.1641.00 | Anello rad. D. 25.0x62.0x10.0 | 1 |
| 49 | 91.4892.00 | Linguetta 8.0x7.0x35.0 | 1 |
| 50 | 98.2105.00 | Asta livello olio G 3/8"x51 | 1 |
| 51 | 90.3925.50 | OR D. 113.97x2.62 NBR 70SH 3450 | 1 |
| 52 | 58.1600.22 | Coperchio posteriore | 1 |
| 53 | 98.2042.50 | Tappo G.1/4"x9 TE17 - Zinc. | 1 |
| 54 | 90.3585.00 | OR D. 10.82x1.78 NBR 70SH 2043 | 1 |
| 55 | 98.1966.00 | Tappo G.1/8"x8 | 1 |
| 56 | 99.3037.00 | Vite M8x16 UNI 5739 | 4 |
| 57 | 96.7016.00 | Rosetta D. 8.4x14.4x2.0 | 4 |
| 58 | 50.2000.74 | Piedino pompa | 2 |
| 59 | 90.3859.00 | OR D. 25.07x2.62 NBR 70SH 3100 | 1 |
| 60 | 90.0671.00 | Anello d'arresto Z130 | 1 |
| 61 | 58.1501.22 | Coperchio laterale | 1 |

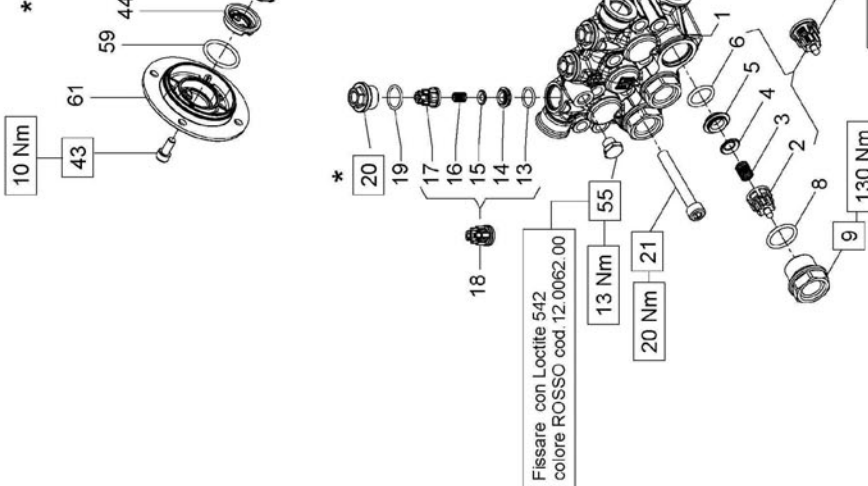
| POS | COD. | DESCRIZIONE – DESCRIPTION - KIT | NR |
|-----|--------------------------|--|--------------------|
| 20 | 98.2137.00 | Tappo M18x1.5x10 | 3 |
| 21 | 99.3175.00 | Vite M8x60 UNI 5931 | 8 |
| 22 | 44.1002.51 63.1010.51 | Anello di testa D. 13 Anello di testa D. 15 | 272-275 273-276 |
| 23 | 90.2602.00 90.2611.00 | An. ten. alt. D. 13.0x21.0x4.0 HP An. ten. alt. D. 15.0x24.0x5.4/3.4 HP | 272-275 273-276 |
| 24 | 90.5076.50 90.5089.90 | Anello antiest. D. 13x21x3 Anello antiest. D. 15x24x2 | 272-275 273-276 |
| 25 | 58.6056.01 58.6057.01 | Gr. supp. guarn./boccola D. 13 Gr. supp. guarn./boccola D. 15 | 275 276 |
| 26 | 90.3606.00 | OR D. 26.7x1.78 NBR 70SH 2106 272-273-275-276 | 3 |
| 28 | 90.2601.00 90.2608.00 | Anello ten. alt. D. 13x20x5 LP Anello ten. alt. D. 15x22x5 LP | 272-275 273-276 |
| 29 | 58.2106.70 58.2107.70 | Anello per tenuta D. 13 Anello per tenuta D. 15 | 275 276 |
| 30 | 98.2100.00 | Tappo G.3/8"x13 | 1 |
| 31 | 96.7380.00 | Rosetta D. 17.5x23.0x1.5 | 1 |
| 32 | 98.2176.00 | Tappo G.1/2"x10 | 1 |
| 33 | 96.7514.00 | Rosetta D. 21.5x27.0x1.5 | 1 |
| 34 | 96.6990.00 | Rosetta D. 7.5x23.0x0.5 | 3 |
| 35 | 58.2105.82 | Guarnizione spugna D. 3.0x94.0 | 1 |
| 36 | 58.0100.22 | Carter pompa | 1 |
| 37 | 58.2104.51 | Protezione | 1 |
| 38 | 90.1565.50 | Anello rad. D. 15.0x24.0x5.0/7.0 | 271 |
| 39 | 58.0500.66 | Guida pistone | 3 |
| 40 | 97.7340.00 | Spinotto D. 10x29.5 | 3 |

| POS | COD. | DESCRIZIONE – DESCRIPTION - KIT | NR |
|-----|--------------------------|--|-----|
| 1 | 58.1200.41 58.1201.41 | Testata pompa D. 13 Testata pompa D. 15 | 1 |
| 2 | 36.2025.51 | Guida valvola d'aspirazione | 269 |
| 3 | 94.7376.00 | Molla Dm. 9.4x14.8 | 269 |
| 4 | 36.2001.76 | Valvola sferica | 269 |
| 5 | 36.2003.66 | Sede valvola d'aspirazione | 269 |
| 6 | 90.3841.00 | OR D. 17.13x2.62 NBR 70SH 3068 | 269 |
| 7 | 36.7115.01 | Gr. valvola d'aspirazione | 269 |
| 8 | 90.3847.00 | OR D. 20.29x2.62 NBR 90SH 3081 | 270 |
| 9 | 98.2226.00 | Tappo M24x1.5x16.7 | 270 |
| 10 | 99.1690.00 | Vite M5x55 | 3 |
| 11 | 96.6905.00 | Rosetta D. 5.0x11.5x0.4 | 3 |
| 12 | 58.0400.09 58.0401.09 | Pistone D. 13x42 Pistone D. 15x42 | 3 |
| 13 | 90.3674.00 | OR D. 12.00x2.00 NBR 70SH | 269 |
| 14 | 36.2113.66 | Sede valvola di mandata | 269 |
| 15 | 36.2112.76 | Valvola sferica | 269 |
| 16 | 94.7333.00 | Molla Dm. 6.2x10.4 | 269 |
| 17 | 36.2111.51 | Guida valvola di mandata | 269 |
| 18 | 36.7193.01 | Gr. valvola mandata | 269 |
| 19 | 90.3593.00 | OR D. 15.60x1.78 NBR 70SH 2062 | 270 |



*
Tappo ottone cod.98213700 - 98213710 = 50 Nm
Tappo nickel cod.98213750 - 98213760 = 60 Nm

Fissare con Loctite 542
colore ROSSO cod.12.0062.00
solo tappo nickel cod.98209900



| |
|--|
| E2B1618 - E2B1711 - E2B1712 - E2B1713 E2B2014 - E2B2015 - E2C1713 - E2C1714 E2C1715 - E2C2016 |
|--|

| PISTON - PISTONE D. 18 | | PISTON - PISTONED. 20 | |
|---|---------|-----------------------|--|
| E2B1711 - E2B1712 - E2B1713 E2B2014 - E2B2015 - E2C1713 E2C1714 - E2C1715 - E2C2016 | E2B1618 | | |

| OTTONE - BRASS | | NICKEL | |
|--|---------|--------|--|
| E2B1711 - E2B1712 - E2B1713 E2B2014 - E2B2015 - E2C1713 E2C1714 - E2C1715 - E2C2016 E2B1618 | E2B2015 | | |

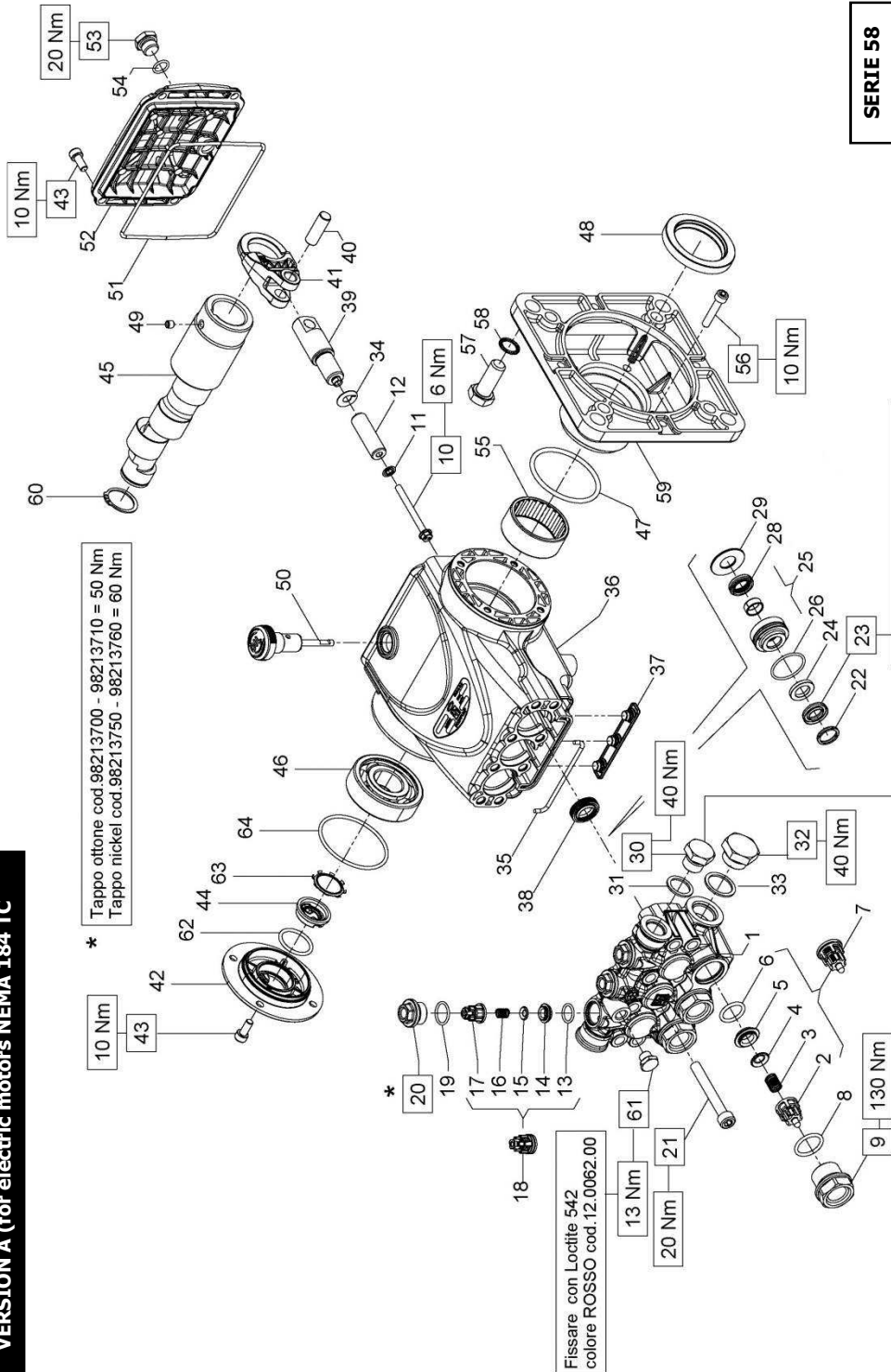
| POS | COD. | DESCRIZIONE - DESCRIPTION - KIT | NR |
|-----|--|--|--------------|
| 1 | 58.1202.41 58.1206.41 58.1207.41 | Testata pompa D. 18 Testata pompa D. 20 Testata pompa D. 18 - NK | 1 |
| 2 | 36.2025.51 | Guida valvola d'aspirazione | 269 3 |
| 3 | 94.7376.00 | Molla Dm. 9.4x14.8 | 269 3 |
| 4 | 36.2001.76 | Valvola sferica | 269 3 |
| 5 | 36.2003.66 | Sede valvola d'aspirazione | 269 3 |
| 6 | 90.3841.00 | OR D. 17.13x2.62 NBR 70SH 3068 | 269 3 |
| 7 | 36.7115.01 | Gr. valvola d'aspirazione | 269 3 |
| 8 | 90.3847.00 | OR D. 20.29x2.62 NBR 90SH 3081 | 270-292 3 |
| 9 | 98.2226.00 98.2225.00 | Tappo M24x1.5x16.7 Tappo M24x1.5x16.7 - NK | 270 292 3 |
| 10 | 99.1690.00 | Vite M5x55 | 269 3 |
| 11 | 96.6905.00 | Rosetta D. 5.0x11.5x0.4 | 269 3 |
| 12 | 58.0402.09 59.0400.09 | Pistone D. 18x42 Pistone D. 20x42 | 269 3 |
| 13 | 90.3674.00 | OR D. 12.00x2.00 NBR 70SH | 269 3 |
| 14 | 36.2113.66 | Sede valvola di mandata | 269 3 |
| 15 | 36.2112.76 | Valvola sferica | 269 3 |
| 16 | 94.7333.00 | Molla Dm. 6.2x10.4 | 269 3 |
| 17 | 36.2111.51 | Guida valvola di mandata | 269 3 |
| 18 | 36.7193.01 | Gr. valvola mandata | 269 3 |
| 19 | 90.3593.00 | OR D. 15.60x1.78 NBR 70SH 2062 | 270-292 3 |

KIT RICAMBI - SPARE KITS

| KIT NR. | KIT 269 | KIT 270 | KIT 292 | KIT 271 | PISTON - PISTONE D. 18 | PISTON - PISTONE D. 20 |
|--------------------------------------|--|------------------|------------------|---------|--|--|
| Posizioni include Positions included | 2 - 3 - 4 5 - 6 - 13 14 - 15 - 16 17 - (7) - (18) | 8 - 9 19 - 20 | 8 - 9 19 - 20 | 38 | KIT 274 22 - 23 24 - 25 26 - 28 29 | KIT 329 22 - 23 24 - 25 26 - 28 29 |
| Nr. Pcs. | 3 + 3 | 3 + 3 | 3 + 3 | 3 | 1 | 3 |

| POS | COD. | DESCRIZIONE - DESCRIPTION - KIT | NR |
|-----|--------------------------|--|----------------------|
| 20 | 98.2137.00 98.2137.50 | Tappo M18x1.5x10 Tappo M18x1.5x10 - NK | 270 292 3 |
| 21 | 99.3175.00 | Vite M8x60 UNI 5931 | 8 |
| 22 | 63.1011.51 66.1007.51 | Anello di testa D. 18 Anello di testa D. 20 | 274-277 329-330 3 |
| 23 | 90.2653.50 90.2691.00 | An. ten. alt. D. 18.0x28.0x6.0/3.7 HP An. ten. alt. D. 20.0x30.0x6.0/3.7 HP | 274-277 329-330 3 |
| 24 | 90.5111.50 90.5134.00 | Anello antiest. D. 18x28x2 Anello antiest. D. 20x30x2 | 274-277 329-330 3 |
| 25 | 58.6058.01 58.6059.01 | Gr. supp. guarn./boccola D. 18 Gr. supp. guarn./boccola D. 20 | 277 330 3 |
| 26 | 90.3606.00 90.3608.00 | OR D. 26.7x1.78 NBR 70SH 2106 OR D. 28.3x1.78 NBR 70SH, 2112 | 274-277 329-330 3 |
| 28 | 90.2650.00 90.2687.50 | Anello ten. alt. D. 18x24x5 LP Anello ten. alt. D. 20x26x5 LP | 274-277 329-330 3 |
| 29 | 58.2108.70 58.2110.70 | Anello per tenuta D. 18 Anello per tenuta D. 20 | 277 330 3 |
| 30 | 98.2100.00 98.2099.00 | Tappo G 3/8"x13 Tappo G 3/8"x13 - NK | 1 |
| 31 | 96.7380.00 | Rosetta D. 17.5x23.0x1.5 | 1 |
| 32 | 98.2176.00 98.2179.00 | Tappo G 1/2"x10 Tappo G 1/2" x10 - NK | 1 |
| 33 | 96.7514.00 | Rosetta D. 21.5x27.0x1.5 | 1 |
| 34 | 96.6990.00 | Rosetta D. 7.5x23.0x0.5 | 3 |
| 35 | 58.2105.82 | Guarnizione spugna D. 3.0x94.0 | 1 |
| 36 | 58.0100.22 | Carter pompa | 1 |
| 37 | 58.2104.51 | Protezione | 1 |
| 38 | 90.1565.50 | Anello rad. D. 15.0x24.0x5.0/7.0 | 271 3 |

| POS | COD. | DESCRIZIONE - DESCRIPTION - KIT | NR |
|-----|--|--|--------|
| 39 | 58.0500.66 | Guida pistone | 3 |
| 40 | 97.7340.00 | Spinotto D. 10x29.5 | 3 |
| 41 | 58.0300.22 | Biella | 3 |
| 42 | 90.0635.00 | Anello d'arresto D. 25 | 1 |
| 43 | 99.1837.00 | Vite M6x14 UNI 5931 | 8 |
| 44 | 53.2108.51 | Vetrino spia livello olio | 1 |
| 45 | 63.0212.35 63.0291.35 63.0216.35 63.0218.35 58.0201.65 | Alb. ecc. C.10 - E2B1711 E2C1713 Alb. ecc. C.11 - E2B1712 E2C1714 Alb. ecc. C.12 - E2B1713 E2C1715 Alb. ecc. C.13 - E2B2014 E2C2016 Alb. ecc. C.14 - E2B1618 E2B2015 | 1 |
| 46 | 91.8331.00 | Cuscinetto a sfere | 2 |
| 47 | 90.3898.00 | OR D. 56.82x2.62 NBR 70SH 3225 | 1 |
| 48 | 90.1641.00 | Anello rad. D. 25.0x62.0x10.0 | 1 |
| 49 | 91.4892.00 98.2105.00 | Linguetta 8.0x7.0x3.5.0 Asta livello olio G 3/8"x51 | 1 1 |
| 51 | 90.3925.50 | OR D. 113.97x2.62 NBR 70SH 3450 | 1 |
| 52 | 58.1600.22 | Coperchio posteriore | 1 |
| 53 | 98.2042.50 | Tappo G 1/4"x9 TE17 - Zinc. | 1 |
| 54 | 90.3585.00 | OR D. 10.82x1.78 NBR 70SH 2043 | 1 |
| 55 | 98.1966.00 98.1967.00 | Tappo G 1/8"x8 Tappo G 1/8"x8 - NK | 1 |
| 56 | 99.3037.00 | Vite M8x16 UNI 5739 | 4 |
| 57 | 96.7016.00 | Rosetta D. 8.4x14.4x2.0 | 4 |
| 58 | 50.2000.74 | Piedino pompa | 2 |
| 59 | 90.3859.00 | OR D. 25.07x2.62 NBR 70SH 3100 | 1 |
| 60 | 90.0671.00 | Anello d'arresto ZJ30 | 1 |
| 61 | 58.1501.22 | Coperchio laterale carter | 1 |



*
 Tappo ottone cod.98213700 - 98213710 = 50 Nm
 Tappo nickel cod.98213750 - 98213760 = 60 Nm

*
 Fissare con Loctite 542
 colore ROSSO cod.12.0062.00

SERIE 58

DIS. COD. 58.9502.00

Lubrificare con grasso di vaselina
 cod. 12.0021.00

Fissare con Loctite 542
 colore ROSSO cod.12.0062.00
 solo tappo nickel cod.98209900

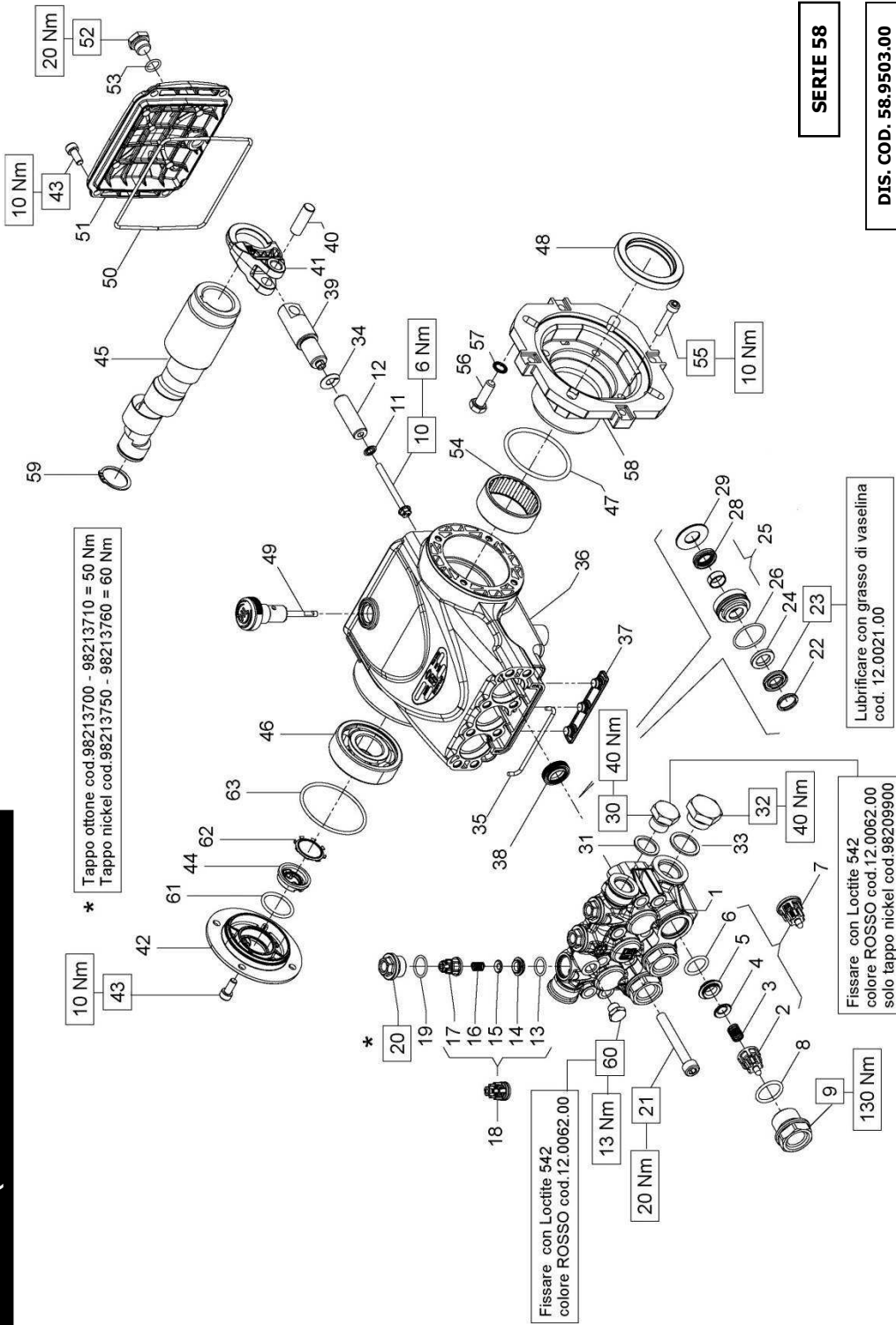
KIT RICAMBI - SPARE KITS

| KIT 269 | | KIT 270 | KIT 271 | PISTON - PISTONED. 15 | | PISTON - PISTONE D. 18 | |
|---------|--|------------------|---------|--------------------------|-------------------------------------|-------------------------------------|-------------------------------------|
| KIT NR. | Posizioni incluse positions included | 8 - 9 19 - 20 | 38 | KIT 273 | KIT 276 | KIT 274 | KIT 277 |
| | 2 - 3 - 4 5 - 6 - 13 14 - 15 - 16 17 - (7) - (18) | | | 22 - 23 24 - 26 28 | 22 - 23 24 - 25 26 - 28 29 | 22 - 23 24 - 25 26 - 28 28 | 22 - 23 24 - 25 26 - 28 29 |
| | 3 + 3 | 3 + 3 | 3 | 3 | 1 | 3 | 1 |

| POS | COD. | DESCRIZIONE - DESCRIPTION - KIT | NR | POS | COD. | DESCRIZIONE - DESCRIPTION - KIT | NR |
|-----|------------|---------------------------------------|-----------------|-----|------------|------------------------------------|----|
| 22 | 63.1010.51 | Anello di testa D. 15 | 273-276 | 43 | 99.1837.00 | Vite M6x1,4 UNI 5931 | 8 |
| | 63.1011.51 | Anello di testa D. 18 | 274-277 | 44 | 53.2108.51 | Vetrino spia livello olio | 1 |
| 23 | 90.2611.00 | An. ten. alt. D. 15.0x24.0x5.4/3.4 HP | 273-276 | 45 | 63.0232.65 | Alb. ecc. C.10 - E2C1713 E2C2109 | 1 |
| | 90.2653.50 | An. ten. alt. D. 18.0x28.0x6.0/3.7 HP | 273-276 | | 63.0294.65 | Alb. ecc. C.11 - E2C1714 | |
| | | | 274-277 | | 63.0236.65 | Alb. ecc. C.12 - E2C1715 E2C2111 | |
| 24 | 90.5089.90 | Anello antiest. D. 15x24x2 | 273-276 | 46 | 91.8331.00 | Cuscinetto a sfere | 1 |
| | 90.5111.50 | Anello antiest. D. 18x28x2 | 274-277 | 47 | 90.4097.00 | OR D. 55.56x3.53 NBR 70SH 159 | 1 |
| 25 | 58.6057.01 | Gr. supp. guarn./boccola D. 15 | 276 | 48 | 90.1690.00 | Anello rad. D. 45.0x62.0x8.0 | 1 |
| | 58.6058.01 | Gr. supp. guarn./boccola D. 18 | 277 | 49 | 99.1790.00 | | 1 |
| 26 | 90.3606.00 | OR D. 26.7x1.78 NBR 70SH 2106 | 273-274-276-277 | 50 | 98.2105.00 | Asta livello olio G 3/8"x51 | 1 |
| 28 | 90.2608.00 | Anello ten. alt. D. 15x22x5 LP | 273-276 | 51 | 90.3925.50 | OR D. 113.97x2.62 NBR 70SH 3450 | 1 |
| | 90.2650.00 | Anello ten. alt. D. 18x24x5 LP | 274-277 | 52 | 58.1600.22 | Coperchio posteriore | 1 |
| 29 | 58.2107.70 | Anello per tenuta D. 15 | 276 | 53 | 98.2042.50 | Tappo G 1/4"x9 TE17 - Zinc. | 1 |
| | 58.2108.70 | Anello per tenuta D. 18 | 277 | 54 | 90.3585.00 | OR D. 10.82x1.78 NBR 70SH 2043 | 1 |
| 30 | 98.2100.00 | Tappo G 3/8"x13 | | 55 | 91.8568.00 | Boccola a rullini | 1 |
| 31 | 96.7380.00 | Rosetta D. 17.5x23.0x1.5 | | 56 | 99.1912.00 | Vite M6x30 5931 | 4 |
| 32 | 98.2176.00 | Tappo G 1/2"x10 | | 57 | 99.4600.00 | Vite 1/2"x1-1/4" | 4 |
| 33 | 96.7514.00 | Rosetta D. 21.5x27.0x1.5 | | 58 | 96.7195.00 | Rosetta D. 13.0x18.0x1.1 | 4 |
| 34 | 96.6990.00 | Rosetta D. 7.5x23.0x0.5 | | 59 | 10.0504.22 | Flangia motore elettrico 145-184TC | 1 |
| 35 | 58.2105.82 | Guarnizione spugna D. 3.0x94.0 | | 60 | 90.0635.00 | Anello d'arresto D. 25 | 1 |
| 36 | 58.0100.22 | Carter pompa | | 61 | 98.1966.00 | Tappo G 1/8"x8 | 1 |
| 37 | 58.2104.51 | Protezione | | 62 | 90.3859.00 | OR D. 25.07x2.62 NBR 70SH 3100 | 1 |
| 38 | 90.1565.50 | Anello rad. D. 15.0x24.0x5.0/7.0 | 271 | 63 | 90.0671.00 | Anello d'arresto Z130 | 1 |
| 39 | 58.0500.66 | Guida pistone | | 64 | 90.3898.00 | OR D. 56.82x2.62 NBR 70SH 3225 | 1 |
| 40 | 97.7340.00 | Spinotto D. 10x29.5 | | | | | |
| 41 | 58.0300.22 | Biella | | | | | |
| 42 | 58.1501.22 | Coperchio laterale | | | | | |

| E2C2109 - E2C2111 - E2C1713 - E2C1714 - E2C1715 | | PISTON - PISTONE D. 18 | |
|---|--|------------------------|---------|
| KIT NR. | Posizioni incluse positions included | KIT 270 | KIT 271 |
| | 2 - 3 - 4 5 - 6 - 13 14 - 15 - 16 17 - (7) - (18) | | |
| | 3 + 3 | 3 + 3 | 3 |

| POS | COD. | DESCRIZIONE - DESCRIPTION - KIT | NR |
|-----|------------|---------------------------------|-----|
| 1 | 58.1201.41 | Testata pompa D. 15 | 1 |
| | 58.1202.41 | Testata pompa D. 18 | |
| 2 | 36.2025.51 | Guida valvola d'aspirazione | 269 |
| 3 | 94.7376.00 | Molla Dm. 9.4x14.8 | 269 |
| 4 | 36.2001.76 | Valvola sferica | 269 |
| 5 | 36.2003.66 | Sede valvola d'aspirazione | 269 |
| 6 | 90.3841.00 | OR D. 17.13x2.62 NBR 70SH 3068 | 269 |
| 7 | 36.7115.01 | Gr. valvola d'aspirazione | 269 |
| 8 | 90.3847.00 | OR D. 20.29x2.62 NBR 90SH 3081 | 270 |
| 9 | 98.2226.00 | Tappo M24x1.5x16.7 | 270 |
| 10 | 99.1690.00 | Vite M5x55 | 3 |
| 11 | 96.6905.00 | Rosetta D. 5.0x11.5x0.4 | 3 |
| 12 | 58.0401.09 | Pistone D. 15x42 | 3 |
| | 58.0402.09 | Pistone D. 18x42 | |
| 13 | 90.3674.00 | OR D. 12.00x2.00 NBR 70SH | 269 |
| 14 | 36.2113.66 | Sede valvola di mandata | 269 |
| 15 | 36.2112.76 | Valvola sferica | 269 |
| 16 | 94.7333.00 | Molla Dm. 6.2x10.4 | 269 |
| 17 | 36.2111.51 | Guida valvola di mandata | 269 |
| 18 | 36.7193.01 | Gr. valvola mandata | 269 |
| 19 | 90.3593.00 | OR D. 15.60x1.78 NBR 70SH 2062 | 270 |
| 20 | 98.2137.00 | Tappo M18x1.5x10 | 270 |
| 21 | 99.3175.00 | Vite M8x60 UNI 5931 | 8 |



SERIE 58

DIS. COD. 58.9503.00

KIT RICAMBI - SPARE KITS

| KIT NR. | KIT 269 | KIT 270 | KIT 271 | PISTON - PISTONE D. 13 | | | PISTON - PISTONE D. 15 | | | PISTON - PISTONE D. 18 | | |
|---|--|--------------|---------|------------------------|-------------------------------|----------------------|-------------------------------|-------------------------------|-------------------------------|-------------------------------|-------------------------------|--|
| | | | | KIT 272 | KIT 275 | KIT 273 | KIT 276 | KIT 277 | KIT 274 | KIT 277 | | |
| Posizioni incluse Positions included | 2-3-4 5-6-13 14-15-16 17-(7)-(18) | 8-9 19-20 | 38 | 22-23 24-26 28 | 22-23 24-26 26-28 29 | 22-23 24-26 28 | 22-23 24-26 26-28 29 | 22-23 24-25 26-28 29 | 22-23 24-25 26-28 29 | 22-23 24-25 26-28 29 | 22-23 24-25 26-28 29 | |
| Nr. Pcs. | 3+3 | 3+3 | 3 | 3 | 1 | 3 | 1 | 3 | 1 | 3 | 1 | |

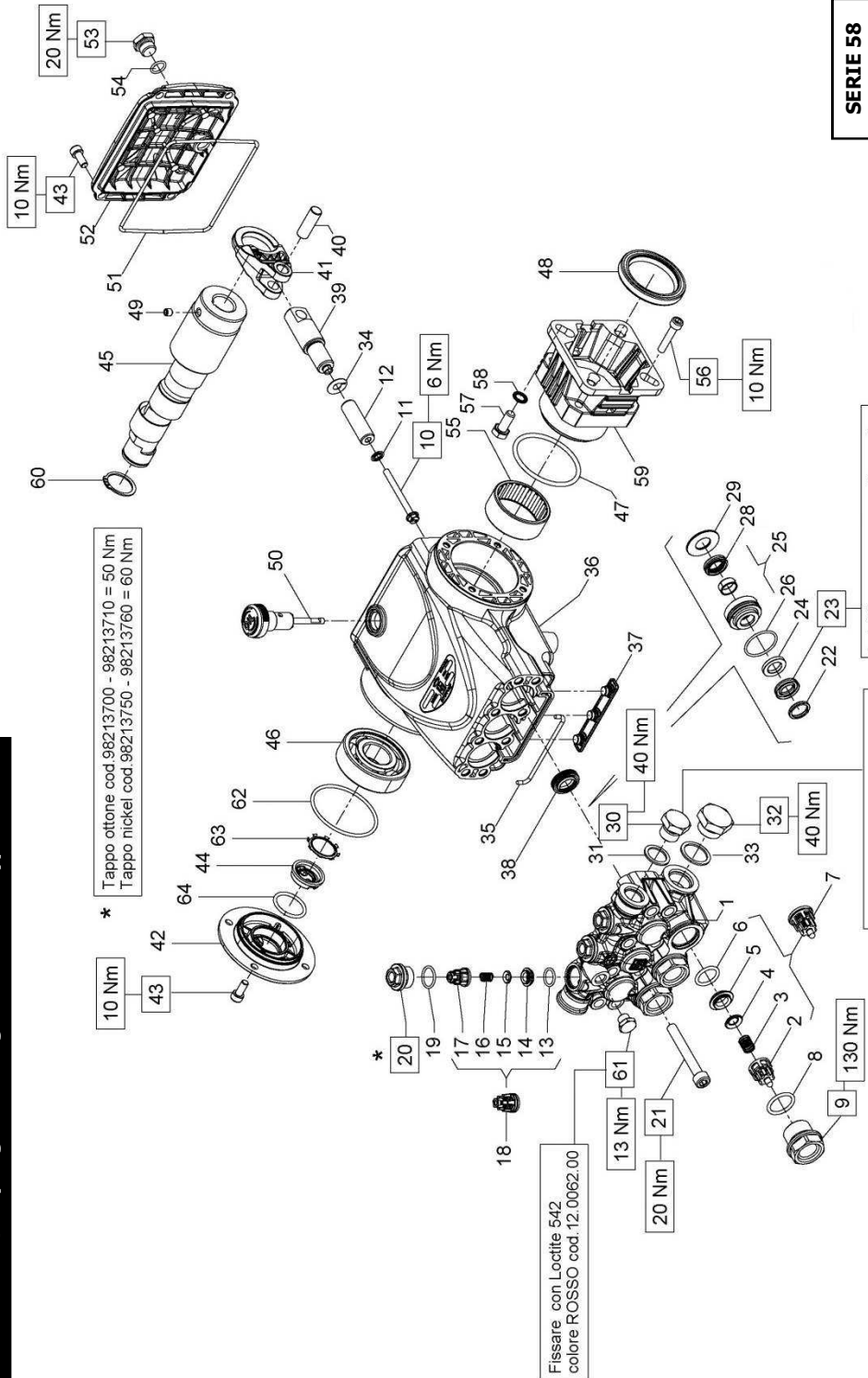
| E2B2808 - E2B2808 - E2B2010 - E2D2010 E2D2810 - E2D2011 - E2D2811 - E2D2812 E2D2013 - E2D2813 - E2D2015 - E2D2016 E2B1711 - E2B1712 - E2B1713 - E2B2014 | | PISTON D. 13 | PISTON D. 15 | PISTON D. 18 |
|--|--|--|--------------|--------------|
| E2B2808 - E2D2810 E2D2010 - E2D2011 E2D2811 - E2D2812 E2D2813 | E2B2008 - E2B2010 E2D2010 - E2D2011 E2D2013 - E2D2015 E2D2016 | E2B1711 - E2B1712 E2B1713 - E2B2014 | | |

| POS | COD. | DESCRIZIONE - DESCRIPTION - KIT | NR |
|-----|------------|--|----|
| 40 | 97.7340.00 | Spinotto D. 10x29,5 | 3 |
| 41 | 58.0300.22 | Biella | 3 |
| 42 | 58.1501.22 | Coperchio laterale | 1 |
| 43 | 99.1837.00 | Vite M6x14 UNI 5931 | 8 |
| 44 | 53.2108.51 | Vetrino spia livello olio | 1 |
| | 63.0245.65 | Alb. ecc. C.6.5 - E2D2010 | |
| | 63.0248.65 | Alb. ecc. C.8 - E2D2011 | |
| | 63.0252.65 | Alb. ecc. C.10 - E2B2008 E2D2810 E2B1711 E2D2013 | |
| 45 | 63.0293.65 | Alb. ecc. C.11 - E2D2015 E2D2811 E2B1712 | 1 |
| | 63.0256.65 | Alb. ecc. C.12 - E2B1713 E2D2016 E2D2812 | |
| | 63.0295.65 | Alb. ecc. C.13 - E2B2010 E2B2808 E2B2014 E2D2813 | |
| 46 | 91.8331.00 | Cuscinetto a sfere | 1 |
| 47 | 90.4097.00 | OR D. 55.56x3.53 NBR 705H 159 | 1 |
| 48 | 90.1690.00 | Anello rad. D. 45.0x62.0x8.0 | 1 |
| 49 | 98.2105.00 | Asta livello olio G 3/8"x51 | 1 |
| 50 | 90.3925.50 | OR D. 113.97x2.62 NBR 705H 3450 | 1 |
| 51 | 58.1600.22 | Coperchio posteriore | 1 |
| 52 | 98.2042.50 | Tappo G 1/4"x9 TE17 - Zinc. | 1 |
| 53 | 90.3585.00 | OR D. 10.82x11.78 NBR 705H 2043 | 1 |
| 54 | 91.8568.00 | Boccola a rullini | 1 |
| 55 | 99.1912.00 | Vite M6x30 5931 | 4 |
| 56 | 99.3067.00 | Vite M8x25 5739 | 4 |
| 57 | 96.7014.00 | Rosetta D. 8.4x13.0x0.7 | 4 |
| 58 | 10.0494.22 | Flangia motore elettrico 100-112 B14 | 1 |
| 59 | 90.0635.00 | Anello d'arresto D. 25 | 1 |
| 60 | 98.1966.00 | Tappo G 1/8"x8 | 1 |
| 61 | 90.3859.00 | OR D. 25.07x2.62 NBR 705H 3100 | 1 |
| 62 | 90.0671.00 | Anello d'arresto Z130 | 1 |
| 63 | 90.3898.00 | OR D. 56.82x2.62 NBR 705H 3225 | 1 |

| POS | COD. | DESCRIZIONE - DESCRIPTION - KIT | NR |
|-----|------------|---------------------------------------|---------|
| 22 | 44.1002.51 | Anello di testa D. 13 | 272-275 |
| | 63.1010.51 | Anello di testa D. 15 | 273-276 |
| | 63.1011.51 | Anello di testa D. 18 | 274-277 |
| 23 | 90.2602.00 | An. ten. alt. D. 13.0x21.0x4.0 HP | 272-275 |
| | 90.2611.00 | An. ten. alt. D. 15.0x24.0x5.4/3.4 HP | 273-276 |
| | 90.2653.50 | An. ten. alt. D. 18.0x28.0x6.0/3.7 HP | 274-277 |
| 24 | 90.5076.50 | Anello antiest. D. 13x21x3 | 272-275 |
| | 90.5089.90 | Anello antiest. D. 15x24x2 | 273-276 |
| | 90.5111.50 | Anello antiest. D. 18x28x2 | 274-277 |
| 25 | 58.6056.01 | Gr. supp. guarn./boccola D. 13 | 275 |
| | 58.6057.01 | Gr. supp. guarn./boccola D. 15 | 276 |
| | 58.6058.01 | Gr. supp. guarn./boccola D. 18 | 277 |
| 26 | 90.3606.00 | OR D. 26.7x1.78 NBR 705H 2106 | 3 |
| | | 272-273-274-275-276-277 | |
| 28 | 90.2601.00 | Anello ten. alt. D. 13x20x5 LP | 272-275 |
| | 90.2608.00 | Anello ten. alt. D. 15x22x5 LP | 273-276 |
| | 90.2650.00 | Anello ten. alt. D. 18x24x5 LP | 274-277 |
| 29 | 58.2106.70 | Anello per tenuta D. 13 | 275 |
| | 58.2107.70 | Anello per tenuta D. 15 | 276 |
| | 58.2108.70 | Anello per tenuta D. 18 | 277 |
| 30 | 98.2100.00 | Tappo G 3/8"x13 | 1 |
| 31 | 96.7380.00 | Rosetta D. 17.5x23.0x1.5 | 1 |
| 32 | 98.2176.00 | Tappo G 1/2"x10 | 1 |
| 33 | 96.7514.00 | Rosetta D. 21.5x27.0x1.5 | 1 |
| 34 | 96.6990.00 | Rosetta D. 7.5x23.0x0.5 | 3 |
| 35 | 58.2105.82 | Guarnizione spugna D. 3.0x94.0 | 1 |
| 36 | 58.0100.22 | Cartier pompa | 1 |
| 37 | 58.2104.51 | Protezione | 1 |
| 38 | 90.1565.50 | Anello rad. D. 15.0x24.0x5.0/7.0 | 271 |
| 39 | 58.0500.66 | Guida pistone | 3 |

| POS | COD. | DESCRIZIONE - DESCRIPTION - KIT | NR |
|-----|------------|---------------------------------|-----|
| 1 | 58.1200.41 | Testata pompa D. 13 | 1 |
| | 58.1201.41 | Testata pompa D. 15 | |
| | 58.1202.41 | Testata pompa D. 18 | |
| 2 | 36.2025.51 | Guida valvola d'aspirazione | 269 |
| 3 | 94.7376.00 | Molla Dm. 9.4x14.8 | 269 |
| 4 | 36.2001.76 | Valvola sferica | 269 |
| 5 | 36.2003.66 | Sede valvola d'aspirazione | 269 |
| 6 | 90.3841.00 | OR D. 17.13x2.62 NBR 705H 3068 | 269 |
| 7 | 36.7115.01 | Gr. valvola d'aspirazione | 269 |
| 8 | 90.3847.00 | OR D. 20.29x2.62 NBR 905H 3081 | 270 |
| 9 | 98.2226.00 | Tappo M2x1.5x16.7 | 270 |
| 10 | 99.1690.00 | Vite M5x55 | 3 |
| 11 | 96.6905.00 | Rosetta D. 5.0x11.5x0.4 | 3 |
| 12 | 58.0400.09 | Pistone D. 13x42 | 3 |
| | 58.0401.09 | Pistone D. 15x42 | |
| | 58.0402.09 | Pistone D. 18x42 | |
| 13 | 90.3674.00 | OR D. 12.00x2.00 NBR 705H | 269 |
| 14 | 36.2113.66 | Sede valvola di mandata | 269 |
| 15 | 36.2112.76 | Valvola sferica | 269 |
| 16 | 94.7333.00 | Molla Dm. 6.2x10.4 | 269 |
| 17 | 36.2111.51 | Guida valvola di mandata | 269 |
| 18 | 36.7193.01 | Gr. valvola mandata | 269 |
| 19 | 90.3593.00 | OR D. 15.60x1.78 NBR 705H 2062 | 270 |
| 20 | 98.2137.00 | Tappo M18x1.5x10 | 270 |
| 21 | 99.3175.00 | Vite M8x60 UNI 5931 | 8 |

VERSION C 3/4" (for gasoline engines SAE J 609 type A ext.3



* Tappo ottone cod.98213700 - 98213710 = 50 Nm
 Tappo nickel cod.98213750 - 98213760 = 60 Nm

Fissare con Loctite 542
 colore ROSSO cod.12.0062.00

Lubrificare con grasso di vaselina
 cod. 12.0021.00

Fissare con Loctite 542
 colore ROSSO cod.12.0062.00
 solo tappo nickel cod.98209900

SERIE 58

DIS. COD. 58.9501.00

KIT RICAMBI - SPARE KITS

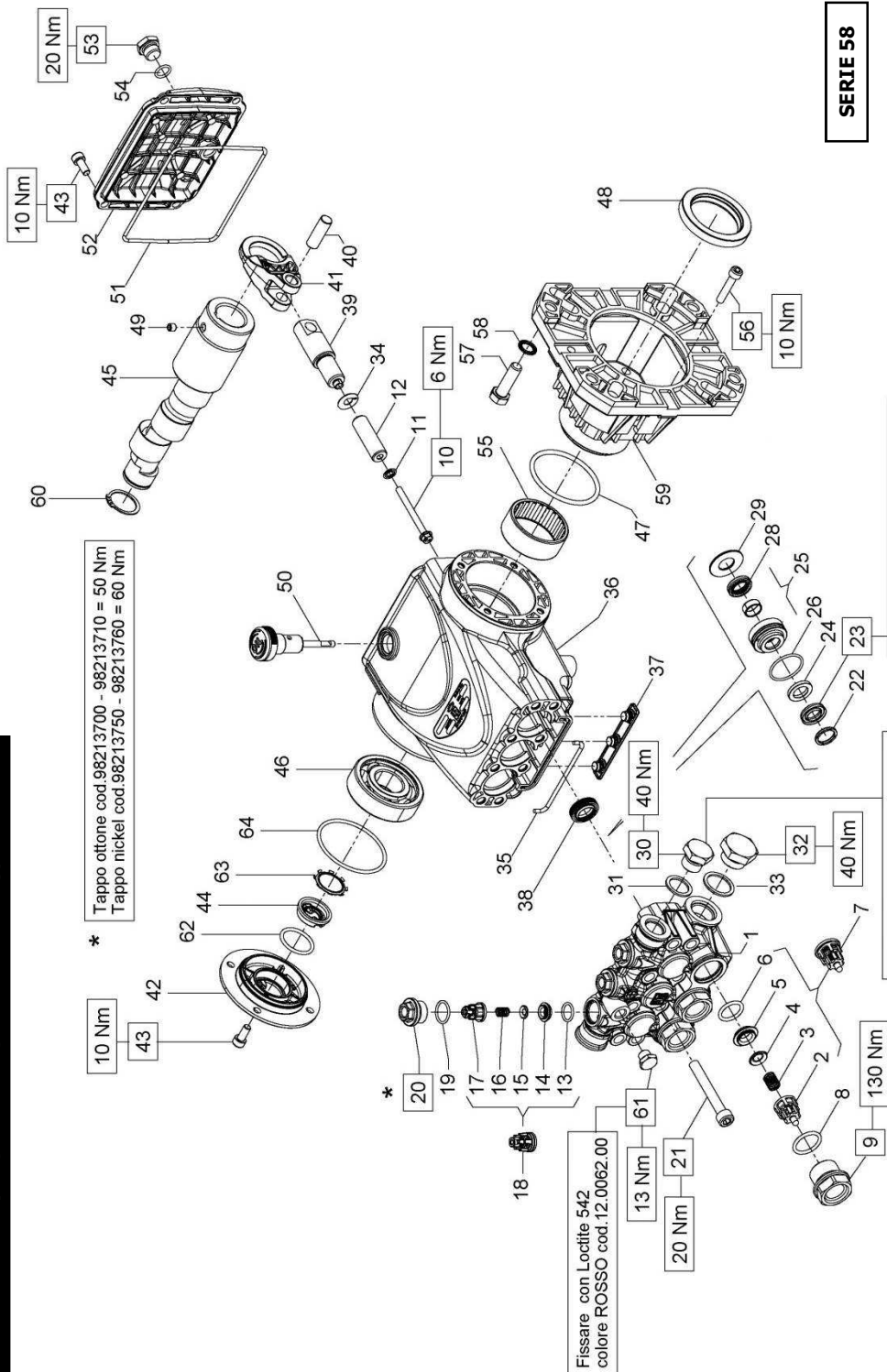
| KIT NR. | KIT 269 | KIT 270 | KIT 271 | KIT 273 | KIT 276 |
|---|--|------------------|---------|--------------------------|-------------------------------------|
| Posizioni include Positions included | 2 - 3 - 4 5 - 6 - 13 14 - 15 - 16 17 - (7) - (18) | 8 - 9 19 - 20 | 38 | 22 - 23 24 - 26 28 | 22 - 23 24 - 25 26 - 28 29 |
| Nr. Pcs. | 3 + 3 | 3 + 3 | 3 | 3 | 1 |

| POS | COD. | DESCRIZIONE - DESCRIPTION - KIT | NR |
|-----|------------|---------------------------------------|-----------|
| 1 | 58.1201.41 | Testata pompa D. 15 | 1 |
| 2 | 36.2025.51 | Guida valvola d'aspirazione | 269 3 |
| 3 | 94.7376.00 | Molla Dm. 9.4x14.8 | 269 3 |
| 4 | 36.2001.76 | Valvola sferica | 269 3 |
| 5 | 36.2003.66 | Sede valvola d'aspirazione | 269 3 |
| 6 | 90.3841.00 | OR D. 17.113x2.62 NBR 70SH 3068 | 269 3 |
| 7 | 36.7115.01 | Gr. valvola d'aspirazione | 269 3 |
| 8 | 90.3847.00 | OR D. 20.29x2.62 NBR 90SH 3081 | 270 3 |
| 9 | 98.2226.00 | Tappo M24x1.5x16.7 | 270 3 |
| 10 | 99.1690.00 | Vite M5x55 | 3 |
| 11 | 96.6905.00 | Rosetta D. 5.0x11.5x0.4 | 3 |
| 12 | 58.0401.09 | Pistone D. 15x42 | 3 |
| 13 | 90.3674.00 | OR D. 12.00x2.00 NBR 70SH | 269 3 |
| 14 | 36.2113.66 | Sede valvola di mandata | 269 3 |
| 15 | 36.2112.76 | Valvola sferica | 269 3 |
| 16 | 94.7333.00 | Molla Dm. 6.2x10.4 | 269 3 |
| 17 | 36.2111.51 | Guida valvola di mandata | 269 3 |
| 18 | 36.7193.01 | Gr. valvola mandata | 269 3 |
| 19 | 90.3593.00 | OR D. 15.60x1.78 NBR 70SH 2062 | 270 3 |
| 20 | 98.2137.00 | Tappo M18x1.5x10 | 270 3 |
| 21 | 99.3175.00 | Vite M8x60 UNI 5931 | 8 |
| 22 | 63.1010.51 | Anello di testa D. 15 | 273-276 3 |
| 23 | 90.2611.00 | An. ten. alt. D. 15.0x24.0x5.4/3.4 HP | 273-276 3 |
| 24 | 90.5089.90 | Anello antief. D. 15x24x2 | 273-276 3 |
| 25 | 58.6057.01 | Gr. supp. guam./boccola D. 15 | 276 3 |
| 26 | 90.3606.00 | OR D. 26.7x1.78 NBR 70SH 2106 | 273-276 3 |

| POS | COD. | DESCRIZIONE - DESCRIPTION - KIT | NR |
|-----|------------|--|-------|
| 28 | 90.2608.00 | Anello ten. alt. D. 15x22x5 LP 273-276 | 3 |
| 29 | 58.2107.70 | Anello per tenuta D. 15 | 276 3 |
| 30 | 98.2100.00 | Tappo G 3/8"x13 | 1 |
| 31 | 96.7380.00 | Rosetta D. 17.5x23.0x1.5 | 1 |
| 32 | 98.2176.00 | Tappo G 1/2"x10 | 1 |
| 33 | 96.7514.00 | Rosetta D. 21.5x27.0x1.5 | 1 |
| 34 | 96.6990.00 | Rosetta D. 7.5x23.0x0.5 | 3 |
| 35 | 58.2105.82 | Guarnizione spugna D. 3.0x94.0 | 1 |
| 36 | 58.0100.22 | Carter pompa | 1 |
| 37 | 58.2104.51 | Protezione | 1 |
| 38 | 90.1565.50 | Anello rad. D. 15.0x24.0x5.0/7.0 | 271 3 |
| 39 | 58.0500.66 | Guida pistone | 3 |
| 40 | 97.7340.00 | Spinotto D. 10x29.5 | 3 |
| 41 | 58.0300.22 | Biella | 3 |
| 42 | 58.1501.22 | Coperchio laterale | 1 |
| 43 | 99.1837.00 | Vite M6x14 UNI 5931 | 8 |
| 44 | 53.2108.51 | Vetrino spia livello olio | 1 |
| 45 | 63.0265.65 | Alb. ecc. C.5 - EZE2108 | 1 |
| 45 | 63.0264.65 | Alb. ecc. C.6.5 - EZE2111 | 1 |
| 45 | 63.0266.65 | Alb. ecc. C.8 - EZE2113 | 1 |
| 46 | 91.8331.00 | Cuscinetto a sfere | 1 |
| 47 | 90.4097.00 | OR D. 55.56x3.53 NBR 70SH 159 | 1 |
| 48 | 90.1687.00 | Anello rad. D. 45.0x60.0x8.0 | 1 |
| 49 | 99.1790.00 | Vite M6x06.5929 | 1 |
| 50 | 98.2105.00 | Asta livello olio G 3/8"x51 | 1 |
| 51 | 90.3925.50 | OR D. 113.97x2.62 NBR 70SH 3450 | 1 |
| 52 | 58.1600.22 | Coperchio posteriore | 1 |
| 53 | 98.2042.50 | Tappo G 1/4"x9 TE17 - Zinc. | 1 |
| 54 | 90.3585.00 | OR D. 10.82x1.78 NBR 70SH 2043 | 1 |

| POS | COD. | DESCRIZIONE - DESCRIPTION - KIT | NR |
|-----|------------|-----------------------------------|----|
| 55 | 91.8568.00 | Boccola a rullini | 1 |
| 56 | 99.1912.00 | Vite M6x30 5931 | 4 |
| 57 | 99.2730.00 | Vite 5/16"x3/4" | 4 |
| 58 | 96.7014.00 | Rosetta D. 8.4x13.0x0.7 | 4 |
| 59 | 10.0617.22 | Flangia motore a scoppio SAE 1609 | 1 |
| 60 | 90.0635.00 | Anello d'arresto D. 25 | 1 |
| 61 | 98.1966.00 | Tappo G 1/8"x8 | 1 |
| 62 | 90.3859.00 | OR D. 25.07x2.62 NBR 70SH 3100 | 1 |
| 63 | 90.0671.00 | Anello d'arresto ZJ30 | 1 |
| 64 | 90.3898.00 | OR D. 56.82x2.62 NBR 70SH 3225 | 1 |

VERSION C 1" (for gasoline engines SAE J 609 type B ext.4



*
 Tappo ottone cod.98213700 - 98213710 = 50 Nm
 Tappo nickel cod.98213750 - 98213760 = 60 Nm

10 Nm
 43

10 Nm
 43

20 Nm
 53

10 Nm
 43

6 Nm
 10

6 Nm
 10

6 Nm
 10

6 Nm
 10

6 Nm
 10

6 Nm
 10

6 Nm
 10

6 Nm
 10

13 Nm
 21

13 Nm
 21

13 Nm
 21

13 Nm
 21

13 Nm
 21

13 Nm
 21

13 Nm
 21

13 Nm
 21

20 Nm
 21

20 Nm
 21

20 Nm
 21

20 Nm
 21

20 Nm
 21

20 Nm
 21

20 Nm
 21

20 Nm
 21

40 Nm
 30

40 Nm
 30

40 Nm
 30

40 Nm
 30

40 Nm
 30

40 Nm
 30

40 Nm
 30

40 Nm
 30

40 Nm
 32

40 Nm
 32

40 Nm
 32

40 Nm
 32

40 Nm
 32

40 Nm
 32

40 Nm
 32

40 Nm
 32

130 Nm
 9

130 Nm
 9

130 Nm
 9

130 Nm
 9

130 Nm
 9

130 Nm
 9

130 Nm
 9

130 Nm
 9

10 Nm
 56

10 Nm
 56

10 Nm
 56

10 Nm
 56

10 Nm
 56

10 Nm
 56

10 Nm
 56

10 Nm
 56

20 Nm
 53

20 Nm
 53

20 Nm
 53

20 Nm
 53

20 Nm
 53

20 Nm
 53

20 Nm
 53

20 Nm
 53

6 Nm
 11

6 Nm
 11

6 Nm
 11

6 Nm
 11

6 Nm
 11

6 Nm
 11

6 Nm
 11

6 Nm
 11

10 Nm
 52

10 Nm
 52

10 Nm
 52

10 Nm
 52

10 Nm
 52

10 Nm
 52

10 Nm
 52

10 Nm
 52

10 Nm
 43

10 Nm
 43

10 Nm
 43

10 Nm
 43

10 Nm
 43

10 Nm
 43

10 Nm
 43

10 Nm
 43

10 Nm
 43

10 Nm
 43

10 Nm
 43

10 Nm
 43

10 Nm
 43

10 Nm
 43

10 Nm
 43

10 Nm
 43

10 Nm
 43

10 Nm
 43

10 Nm
 43

10 Nm
 43

10 Nm
 43

10 Nm
 43

10 Nm
 43

10 Nm
 43

10 Nm
 43

10 Nm
 43

10 Nm
 43

10 Nm
 43

10 Nm
 43

10 Nm
 43

10 Nm
 43

10 Nm
 43

10 Nm
 43

10 Nm
 43

10 Nm
 43

10 Nm
 43

10 Nm
 43

10 Nm
 43

10 Nm
 43

10 Nm
 43

10 Nm
 43

10 Nm
 43

10 Nm
 43

10 Nm
 43

10 Nm
 43

10 Nm
 43

10 Nm
 43

10 Nm
 43

10 Nm
 43

10 Nm
 43

10 Nm
 43

10 Nm
 43

10 Nm
 43

10 Nm
 43

10 Nm
 43

10 Nm
 43

10 Nm
 43

10 Nm
 43

10 Nm
 43

10 Nm
 43

10 Nm
 43

10 Nm
 43

10 Nm
 43

10 Nm
 43

10 Nm
 43

10 Nm
 43

10 Nm
 43

10 Nm
 43

10 Nm
 43

10 Nm
 43

10 Nm
 43

10 Nm
 43

10 Nm
 43

10 Nm
 43

10 Nm
 43

10 Nm
 43

10 Nm
 43

10 Nm
 43

10 Nm
 43

10 Nm
 43

10 Nm
 43

10 Nm
 43

10 Nm
 43

10 Nm
 43

10 Nm
 43

10 Nm
 43

10 Nm
 43

10 Nm
 43

10 Nm
 43

10 Nm
 43

10 Nm
 43

10 Nm
 43

10 Nm
 43

10 Nm
 43

10 Nm
 43

10 Nm
 43

10 Nm
 43

10 Nm
 43

10 Nm
 43

10 Nm
 43

10 Nm
 43

10 Nm
 43

10 Nm
 43

10 Nm
 43

10 Nm
 43

10 Nm
 43

10 Nm
 43

10 Nm
 43

10 Nm
 43

10 Nm
 43

10 Nm
 43

10 Nm
 43

10 Nm
 43

10 Nm
 43

10 Nm
 43

10 Nm
 43

10 Nm
 43

10 Nm
 43

10 Nm
 43

10 Nm
 43

10 Nm
 43

10 Nm
 43

10 Nm
 43

10 Nm
 43

10 Nm
 43

10 Nm
 43

10 Nm
 43

10 Nm
 43

10 Nm
 43

10 Nm
 43

10 Nm
 43

10 Nm
 43

10 Nm
 43

10 Nm
 43

10 Nm
 43

10 Nm
 43

10 Nm
 43

10 Nm
 43

10 Nm
 43

10 Nm
 43

10 Nm
 43

10 Nm
 43

10 Nm
 43

10 Nm
 43

10 Nm
 43

10 Nm
 43

10 Nm
 43

10 Nm
 43

10 Nm
 43

10 Nm
 43

10 Nm
 43

10 Nm
 43

10 Nm
 43

10 Nm
 43

10 Nm
 43

10 Nm
 43

10 Nm
 43

10 Nm
 43

10 Nm
 43

10 Nm
 43

10 Nm
 43

10 Nm
 43

10 Nm
 43

10 Nm
 43

10 Nm
 43

10 Nm
 43

10 Nm
 43

10 Nm
 43

10 Nm
 43

10 Nm
 43

10 Nm
 43

10 Nm
 43

| |
|--|
| EZE2108 - EZE2808 - EZE2810 - EZE2111 EZE2811 - EZE2812 - EZE2113 - EZE2813 EZE2114 - EZE2815 - EZE2116 |
|--|

| PISTON - PISTONE D. 13 | | PISTON - PISTONE D. 15 | |
|------------------------|---------|------------------------|---------|
| EZE2808 | EZE2810 | EZE2811 | EZE2113 |
| EZE2812 | EZE2813 | EZE2114 | EZE2116 |
| EZE2815 | EZE2108 | EZE2815 | EZE2111 |

| OTTONE - BRASS | | NICKEL | |
|----------------|---------|---------|---------|
| EZE2808 | EZE2810 | EZE2812 | EZE2815 |
| EZE2813 | EZE2111 | EZE2113 | EZE2114 |
| EZE2116 | EZE2108 | EZE2815 | |

| POS | COD. | DESCRIZIONE - DESCRIPTION - KIT | NR |
|-----|------------|---------------------------------|---------|
| 1 | 58.1200.41 | Testata pompa D. 13 | 1 |
| 2 | 58.1201.41 | Testata pompa D. 15 | |
| 3 | 58.1212.41 | Testata pompa D. 13 - NK | |
| 4 | 36.2025.51 | Guida valvola d'aspirazione | 269 |
| 5 | 94.7376.00 | Molla Dm. 9.4x14.8 | 269 |
| 6 | 36.2001.76 | Valvola sferica | 269 |
| 7 | 36.2003.66 | Sede valvola d'aspirazione | 269 |
| 8 | 90.3841.00 | OR D. 17.13x2.62 NBR 70SH 3068 | 269 |
| 9 | 36.7115.01 | Gr. valvola d'aspirazione | 269 |
| 10 | 90.3847.00 | OR D. 20.29x2.62 NBR 90SH 3081 | 270-292 |
| 11 | 98.2226.00 | Tappo M24x1.5x16.7 | 270 |
| 12 | 98.2225.00 | Tappo M24x1.5x16.7 - NK | 292 |
| 13 | 99.1690.00 | Vite M5x55 | 3 |
| 14 | 96.6905.00 | Rosetta D. 5.0x11.5x0.4 | 3 |
| 15 | 58.0400.09 | Pistone D. 13x42 | 3 |
| 16 | 58.0401.09 | Pistone D. 15x42 | 3 |
| 17 | 90.3674.00 | OR D. 12.00x2.00 NBR 70SH | 269 |
| 18 | 36.2113.66 | Sede valvola di mandata | 269 |
| 19 | 36.2112.76 | Valvola sferica | 269 |
| 20 | 94.7333.00 | Molla Dm. 6.2x10.4 | 269 |
| 21 | 36.2111.51 | Guida valvola di mandata | 269 |
| 22 | 36.7193.01 | Gr. valvola mandata | 269 |
| 23 | 90.3593.00 | OR D. 15.60x1.78 NBR 70SH 2062 | 270-292 |

KIT RICAMBI - SPARE KITS

| KIT NR. | KIT 269 | KIT 270 | KIT 292 | KIT 271 |
|---|--|------------------|------------------|---------|
| Posizioni incluse Positions included | 2 - 3 - 4 5 - 6 - 13 14 - 15 - 16 17 - (7) - (18) | 8 - 9 19 - 20 | 8 - 9 19 - 20 | 38 |
| Nr. Pcs. | 3 + 3 | 3 + 3 | 3 + 3 | 3 |

| POS | COD. | DESCRIZIONE - DESCRIPTION - KIT | NR |
|-----|------------|---------------------------------------|--------------------|
| 20 | 98.2137.00 | Tappo M18x1.5x10 | 270 |
| 21 | 98.2137.50 | Tappo M18x1.5x10 - NK | 292 |
| 22 | 99.3175.00 | Vite M8x60 UNI 5931 | 8 |
| 23 | 44.1002.51 | Anello di testa D. 13 | 272-275 |
| 24 | 63.1010.51 | Anello di testa D. 15 | 273-276 |
| 25 | 90.2602.00 | An. ten. alt. D. 13.0x21.0x4.0 HP | 272-275 |
| 26 | 90.2611.00 | An. ten. alt. D. 15.0x24.0x5.4/3.4 HP | 272-275 273-276 |
| 27 | 90.5076.50 | Anello antiest. D. 13x21x3 | 272-275 |
| 28 | 90.5089.90 | Anello antiest. D. 15x24x2 | 273-276 |
| 29 | 58.6056.01 | Gr. supp. guarn./boccola D. 13 | 275 |
| 30 | 58.6057.01 | Gr. supp. guarn./boccola D. 15 | 276 |
| 31 | 90.3606.00 | OR D. 26.7x1.78 NBR 70SH 2106 | 272-273-275-276 |
| 32 | 90.2601.00 | Anello ten. alt. D. 13x20x5 LP | 272-275 |
| 33 | 90.2608.00 | Anello ten. alt. D. 15x22x5 LP | 273-276 |
| 34 | 58.2106.70 | Anello per tenuta D. 13 | 275 |
| 35 | 58.2107.70 | Anello per tenuta D. 15 | 276 |
| 36 | 98.2100.00 | Tappo G 3/8"x13 | 1 |
| 37 | 98.2099.00 | Tappo G 3/8"x13 - NK | 1 |
| 38 | 96.7380.00 | Rosetta D. 17.5x23.0x1.5 | 1 |
| 39 | 98.2176.00 | Tappo G 1/2"x10 | 1 |
| 40 | 98.2179.00 | Tappo G 1/2"x10 - NK | 1 |
| 41 | 96.7514.00 | Rosetta D. 21.5x27.0x1.5 | 1 |
| 42 | 96.6990.00 | Rosetta D. 7.5x23.0x0.5 | 3 |
| 43 | 58.2105.82 | Guarnizione spugna D. 3.0x94.0 | 1 |
| 44 | 58.0100.22 | Carte pompa | 1 |
| 45 | 58.2104.51 | Protezione | 1 |
| 46 | 90.1565.50 | Anello rad. D. 15.0x24.0x5.0/7.0 | 271 |
| 47 | 58.0500.66 | Guida pistone | 3 |
| 48 | 97.7340.00 | Spinotto D. 10x29.5 | 3 |
| 49 | 58.0300.22 | Biella | 3 |

| POS | COD. | DESCRIZIONE - DESCRIPTION - KIT | NR |
|-----|------------|---------------------------------|---------|
| 42 | 58.1501.22 | Coperchio laterale | 1 |
| 43 | 99.1837.00 | Vite M6x14 UNI 5931 | 8 |
| 44 | 53.2108.51 | Vetrino spia livello olio | 1 |
| 45 | 63.0274.65 | Alb. ecc. C.5 - EZE2108 | |
| 46 | 63.0277.65 | Alb. ecc. C.6.5 - EZE2808 | EZE2111 |
| 47 | 63.0280.65 | Alb. ecc. C.8 - EZE2810 | EZE2113 |
| 48 | 63.0282.65 | Alb. ecc. C.9 - EZE2811 | EZE2114 |
| 49 | 63.0284.65 | Alb. ecc. C.10 - EZE2812 | EZE2116 |
| 50 | 63.0292.65 | Alb. ecc. C.11 - EZE2813 | |
| 51 | 63.0290.65 | Alb. ecc. C.13 - EIE2815 | |
| 52 | 91.8331.00 | Cuscinetto a sfere | 1 |
| 53 | 90.4097.00 | OR D. 55.56x3.53 NBR 70SH 159 | 1 |
| 54 | 90.1690.00 | Anello rad. D. 45.0x62.0x8.0 | 1 |
| 55 | 99.1790.00 | Vite M6x6 5929 | 1 |
| 56 | 98.2105.00 | Asia livello olio G 3/8"x51 | 1 |
| 57 | 90.3925.50 | OR D. 113.97x2.62 NBR 70SH 3450 | 1 |
| 58 | 58.1600.22 | Coperchio posteriore | 1 |
| 59 | 98.2042.50 | Tappo G 1/4"x9 TE17 - Zinc. | 1 |
| 60 | 90.3585.50 | OR D. 10.82x1.78 NBR 70SH 2043 | 1 |
| 61 | 91.8568.00 | Boccola a rullini | 1 |
| 62 | 99.1912.00 | Vite M6x30 5931 | 4 |
| 63 | 99.2755.00 | Vite 5/16"x1" | 4 |
| 64 | 99.3346.00 | Vite 3/8"x1-1/4" | 4 |
| 65 | 96.7020.00 | Rosetta 8.4x15.0x1.5 | |
| 66 | 96.7104.00 | Rosetta 10.5x16.0x1.0 | |
| 67 | 10.0518.22 | Flangia motore a scoppio J609-B | 1 |
| 68 | 90.0635.00 | Anello d'arresto D. 25 | 1 |
| 69 | 98.1966.00 | Tappo G 1/8"x8 | 1 |
| 70 | 98.1667.00 | Tappo G 1/8"x8 - NK | 1 |
| 71 | 90.3859.00 | OR D. 25.07x2.62 NBR 70SH 3100 | 1 |
| 72 | 90.0671.00 | Anello d'arresto Z130 | 1 |
| 73 | 90.3898.00 | OR D. 56.82x2.62 NBR 70SH 3225 | 1 |

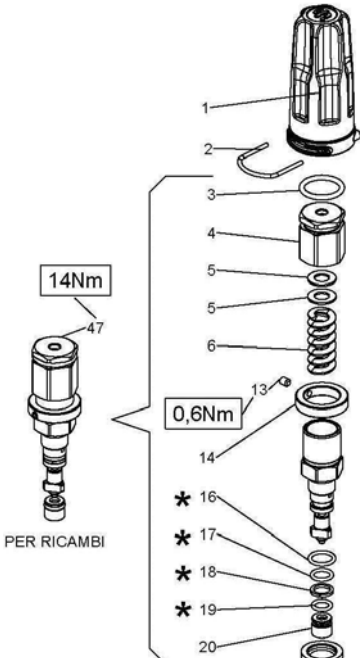
VH VERSION

VERSIONE CON VALVOLA DI REGOLAZIONE AUT. – VERSION WITH BUILT-IN AUT. UNLOADER
 VERSION AVEC RÉGULATEUR AUT. DE PRESSION INCORPORÉ
 AUSFÜHRUNG MIT EINGEBAUTEM AUT. DRUCKREGULIERVENTIL

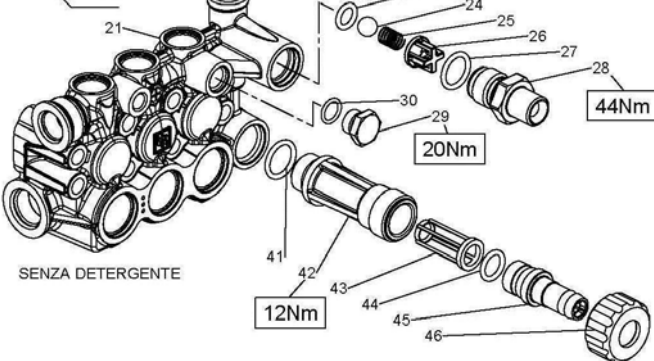
VERSIÓN CON REGULADOR AUT. DE PRESIÓN INCORPORADO - VERSÃO COM VÁLVULA DO REGULAMENTO AUT.

SERIE 58

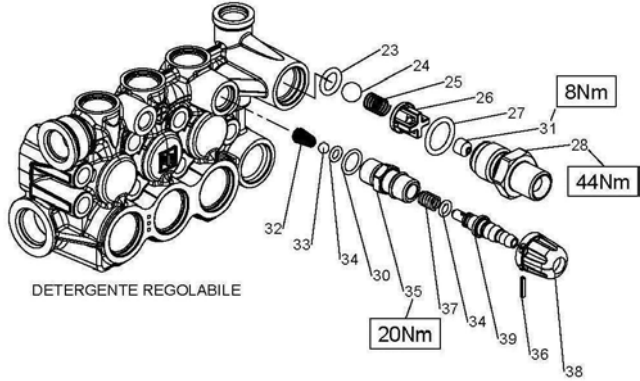
OPTIONALS



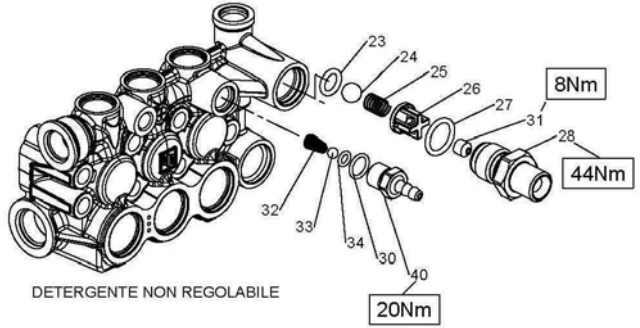
PER RICAMBI



SENZA DETERGENTE



DETERGENTE REGOLABILE



DETERGENTE NON REGOLABILE

* = Se necessario prima del montaggio ingrassare.
 - Usare grasso di vaselina per pompe -

DIS. COD. 36.9547.00

VH VERSION

**VERSIONE CON VALVOLA DI REGOLAZIONE AUT. – VERSION WITH BUILT-IN AUT. UNLOADER
VERSION AVEC RÉGULATEUR AUT. DE PRESSION INCORPORÉ
AUSFÜHRUNG MIT EINGEBAUTEM AUT. DRUCKREGULIERVENTIL**

VERSIÓN CON REGULADOR AUT. DE PRESIÓN INCORPORADO - VERSÃO COM VÁLVULA DO REGULAMENTO AUT

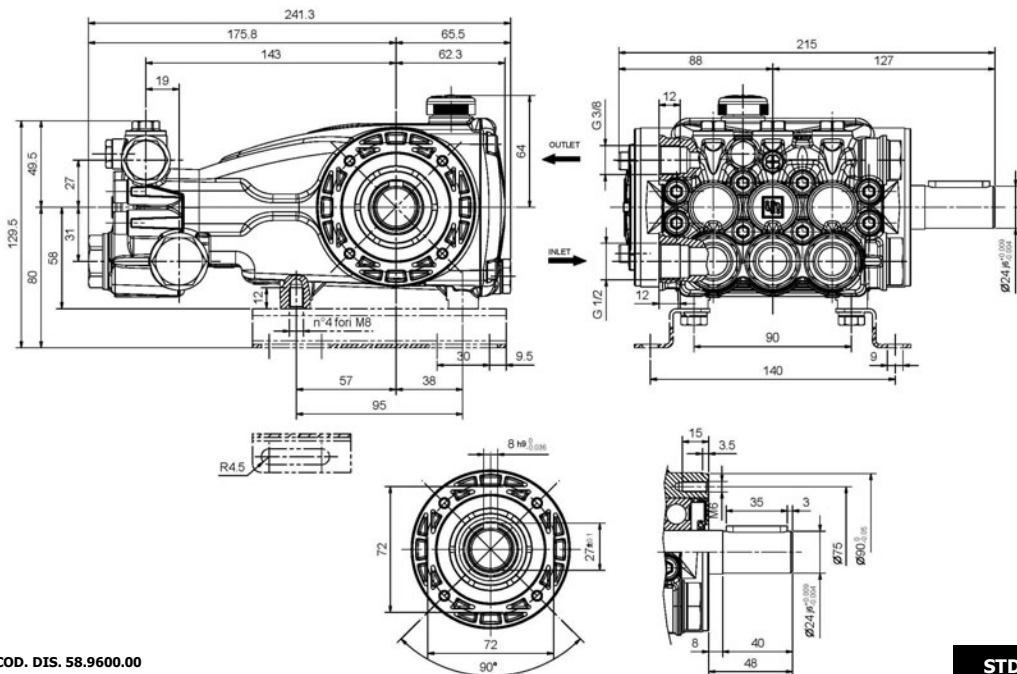
| POS | COD. | DESCRIZIONE – DESCRIPTION - KIT | NR |
|-----|--|--|-----------|
| 1 | 36.3506.51 | Pomolo di regolazione | 1 |
| 2 | 10.0846.66 | Forcella per pomolo di regolazione | 1 |
| 3 | 90.3845.00 | OR D. 18.72x2.62 NBR 70SH 3075 | 1 |
| 4 | 36.3481.70 | Registro di pressione | 1 |
| 5 | 36.3486.51 | Rondella di scorrimento | 2 |
| 6 | 94.7395.00 | Molla Dm. 11.3x34.5 | 1 |
| 13 | 99.1267.00 | Vite M4x5 UNI 5929 | 1 |
| 14 | 36.3477.70 | Ghiera di pressione massima | 1 |
| 16 | 90.3587.00 | OR D. 11.11x1.78 NBR 70SH 114 | 1 |
| 17 | 90.3581.00 | OR D. 8.73x1.78 NBR 70SH 108 | 1 |
| 18 | 90.5038.00 | Anello antiest. D. 9.0x12.0x1.5 | 1 |
| 19 | 90.3578.00 | OR D. 7.66x1.78 NBR 70SH 2031 | 1 |
| 20 | 36.3483.66 | Sede | 1 |
| 21 | 58.1203.41 58.1204.41 58.1205.41 58.1209.41 58.1210.41 58.1211.41 58.1213.41 | Testata con valv. integ. DX D. 13 Testata con valv. integ. DX D. 15 Testata con valv. integ. DX D. 18 Testata con valv. integ. SX D. 13 Testata con valv. integ. SX D. 15 Testata con valv. integ. SX D. 18 Testata con valv. integ. DX D. 15 – NK | 1 |
| 23 | 90.3823.00 | OR D. 9.92x2.62 NBR 70SH 112 | 278 1 |
| 24 | 97.4838.00 | Sfera D. 13/32" | 278 1 |
| 25 | 94.7355.00 | Molla Dm. 8.5x12.0 | 278 1 |
| 26 | 36.3104.51 | Guida valvola | 278 1 |
| 27 | 90.3839.00 | OR D. 15.88x2.62 NBR 70SH 121 | 278 1 |
| 28 | 36.3490.70 36.3489.70 36.3488.70 36.3487.70 36.3479.70 | Nipplo 3/8" NPT – F – D. 3 Nipplo G 3/8" – F – D. 3 Nipplo M22x1.5 – D. 3 Nipplo 3/8" NPT – M – D. 3 Nipplo G 3/8" – M – D. 3 | 1 |
| 29 | 98.2041.00 98.2042.00 | Tappo G 1/4"x9 Tappo G 1/4"x9 - NK | 1 |
| 30 | 90.3585.00 | OR D. 10.82x1.78 NBR 70SH 2043 279-280 | 1 |
| 31 | 10.0795.66 10.0798.66 | Ugello per iniettore D. 2.0 Ugello per iniettore D. 2.2 | 1 |
| 32 | 94.8217.00 | Molla Dm. 4.3/7.3x11.0 | 279-280 1 |
| 33 | 97.4782.00 | Sfera D. 7/32" | 279-280 1 |

| POS | COD. | DESCRIZIONE – DESCRIPTION - KIT | NR |
|------------------|------------|--|-------|
| 34 | 90.3573.00 | OR D. 5.28x1.78 NBR 70SH 2021 279-280 | 2 |
| 35 | 36.3482.70 | Sede valvola detergente | 279 1 |
| 36 | 97.6615.00 | Spina elastica D. 2.0x12.0 | 279 1 |
| 37 | 94.7334.00 | Molla Dm. 6.4x12.5 | 279 1 |
| 38 | 36.3484.51 | Pomolo detergente rosso | 279 1 |
| 39 | 36.3342.70 | Otturatore con portagomma | 279 1 |
| 40 | 36.3492.70 | Portagomma | 280 1 |
| 47 | 36.6054.01 | Frutto valvola con sede | 278 1 |
| OPTIONALS | | | |
| 41 | 90.3841.00 | OR D. 17.13x2.62 NBR 70SH 3068 | 1 |
| 42 | 36.3182.51 | Nipplo aspirazione G 3/4" | 1 |
| 43 | 92.8925.00 | Filtro D. 12.0x35.0 | 1 |
| 44 | 90.3828.00 | OR D. 12.37x2.62 NBR 70SH 3050 | 1 |
| 45 | 36.2569.51 | Portagomma aspirazione | 1 |
| 46 | 92.9828.00 | Ghiera G 3/4" – D. 15 | 1 |

KIT RICAMBI – SPARE KITS

| KIT NR. | KIT 278 | KIT 279 | KIT 280 |
|---|--|---|-----------------------------------|
| Posizioni include Positions included | 23 - 24 25 - 26 27 - 47 | 30 - 32 33 - 34 35 - 36 37 - 38 39 | 30 - 32 33 - 34 40 |
| Nr. Pcs. | - | - | - |

**DIMENSIONI D'INGOMBRO – OVERALL DIMENSIONS – DIMENSIONS D'ENCOMBREMENT
RAUMBEDARF – DIMENSIONES TOTALES – DIMENSÕES**

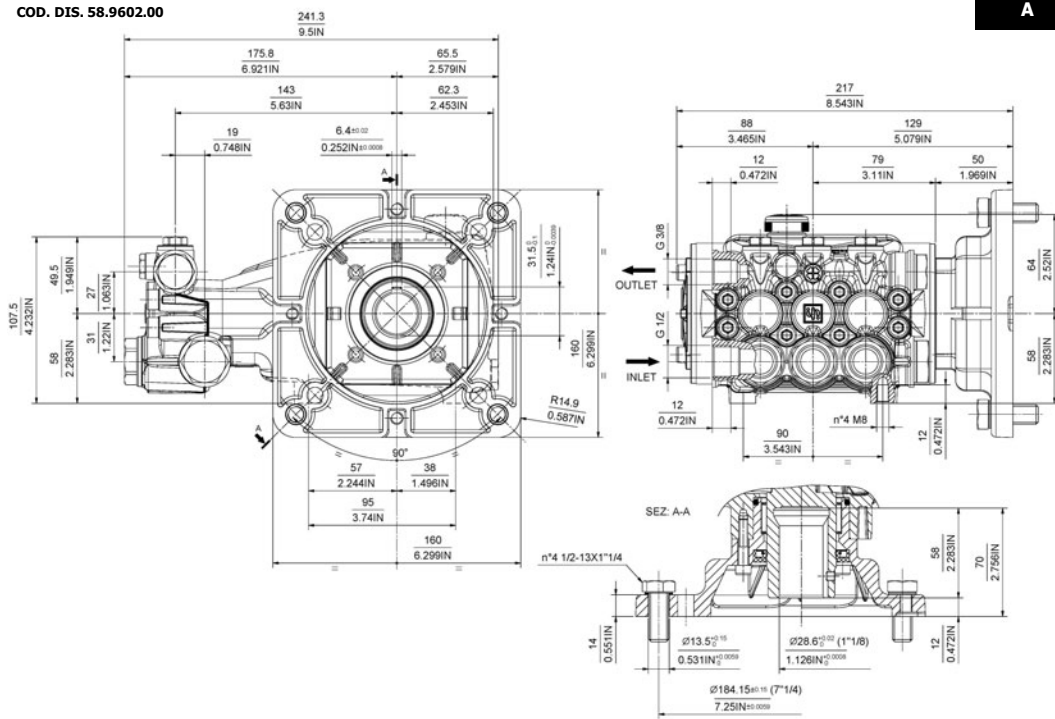


COD. DIS. 58.9600.00

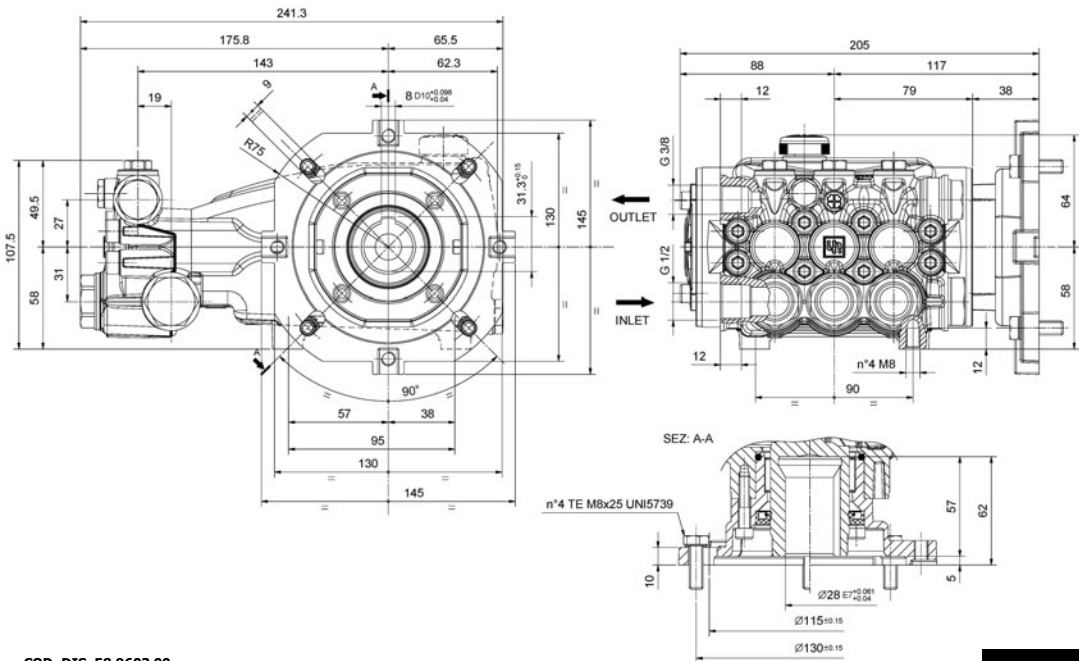
COD. DIS. 58.9602.00

STD.

A

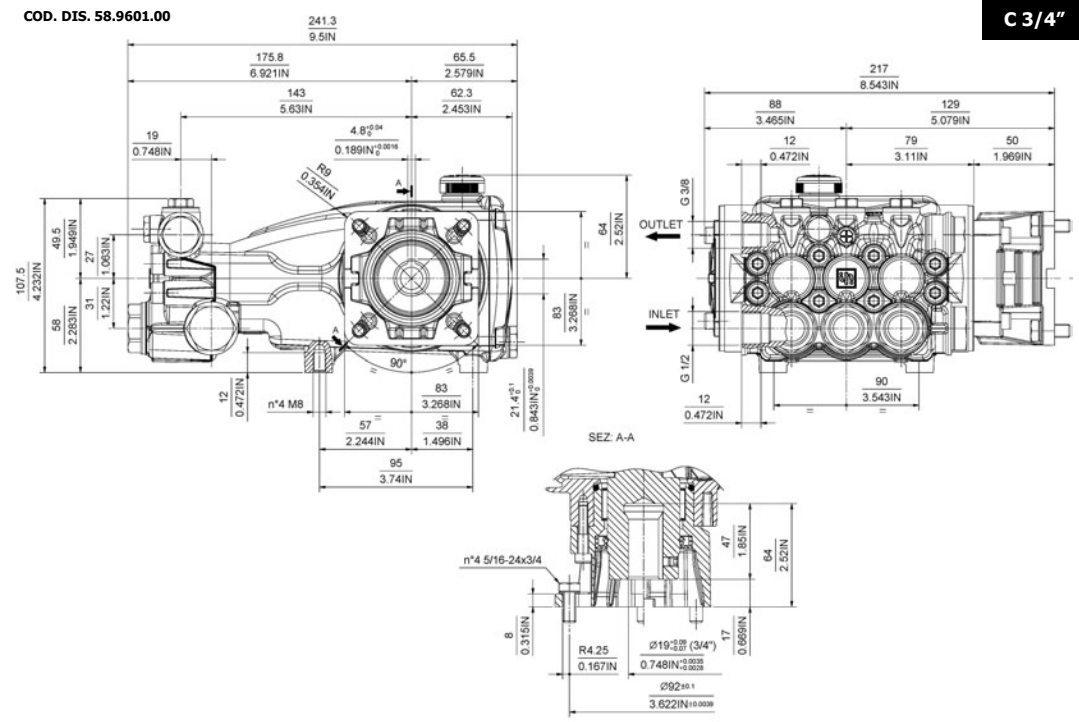


**DIMENSIONI D'INGOMBRO – OVERALL DIMENSIONS – DIMENSIONS D'ENCOMBREMENT
RAUMBEDARF – DIMENSIONES TOTALES – DIMENSÕES**



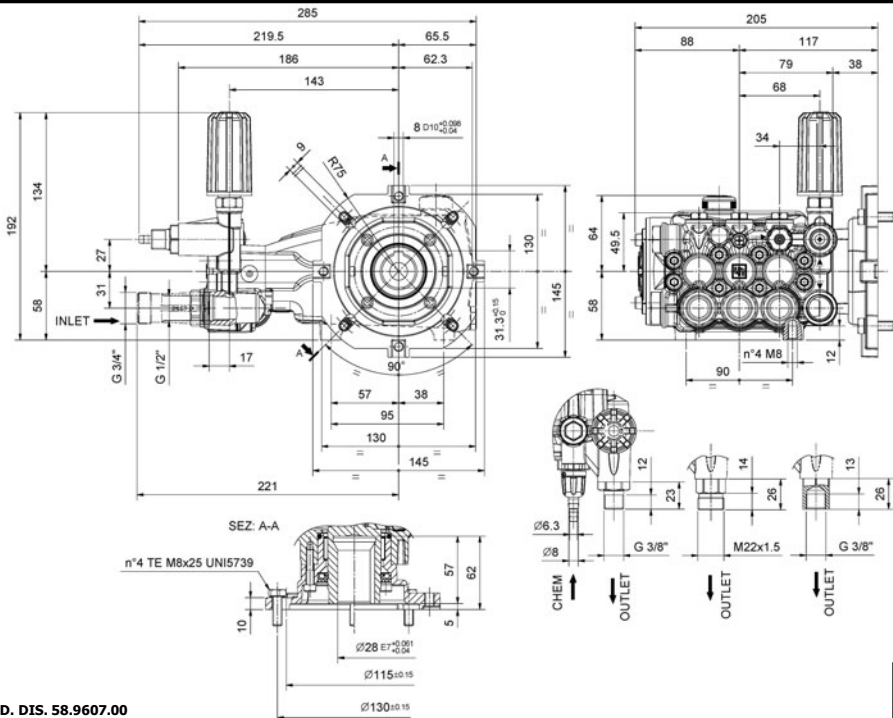
COD. DIS. 58.9603.00

**B
C 3/4"**

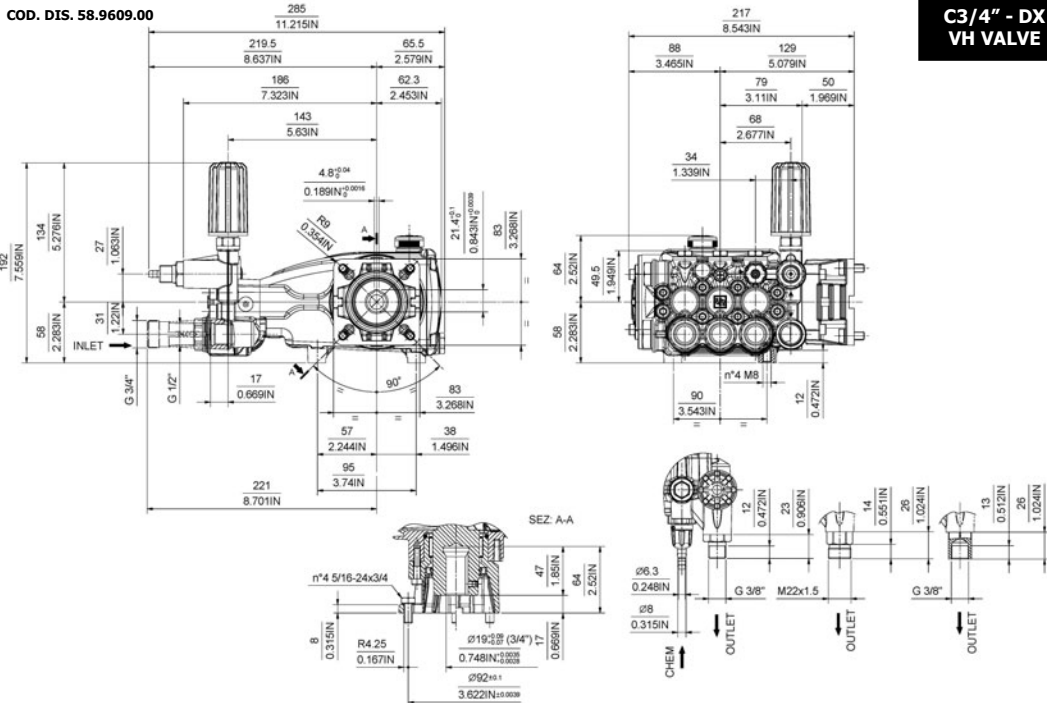


COD. DIS. 58.9601.00

**DIMENSIONI D'INGOMBRO – OVERALL DIMENSIONS – DIMENSIONS D'ENCOMBREMENT
RAUMBEDARF – DIMENSIONES TOTALES – DIMENSÕES**

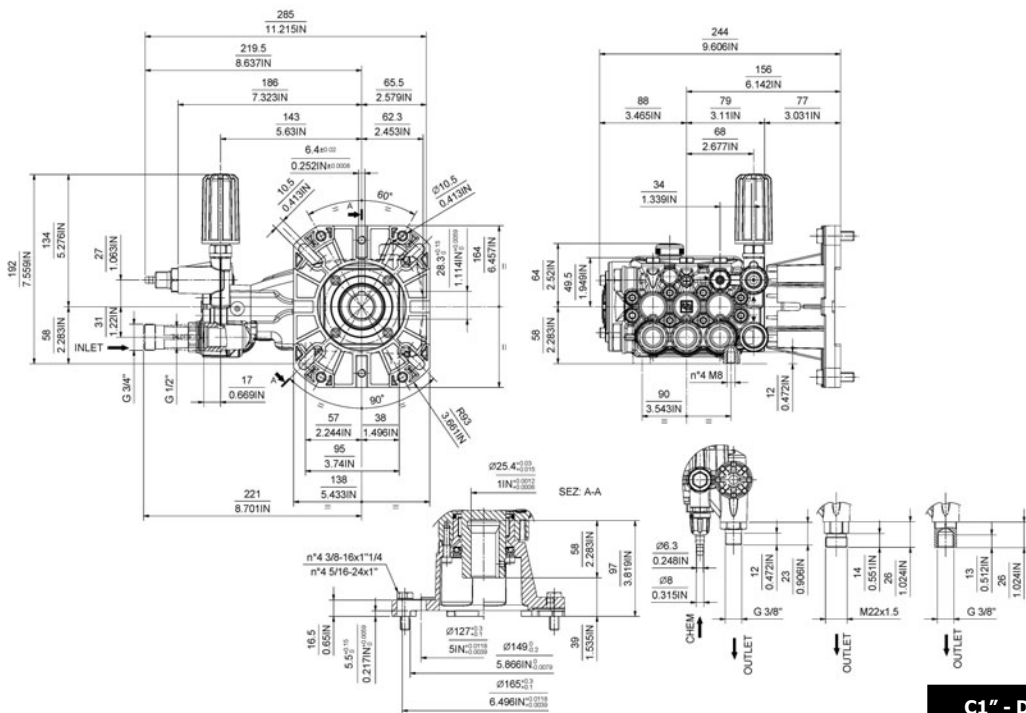


**B - DX
VH VALVE**



**C3/4" - DX
VH VALVE**

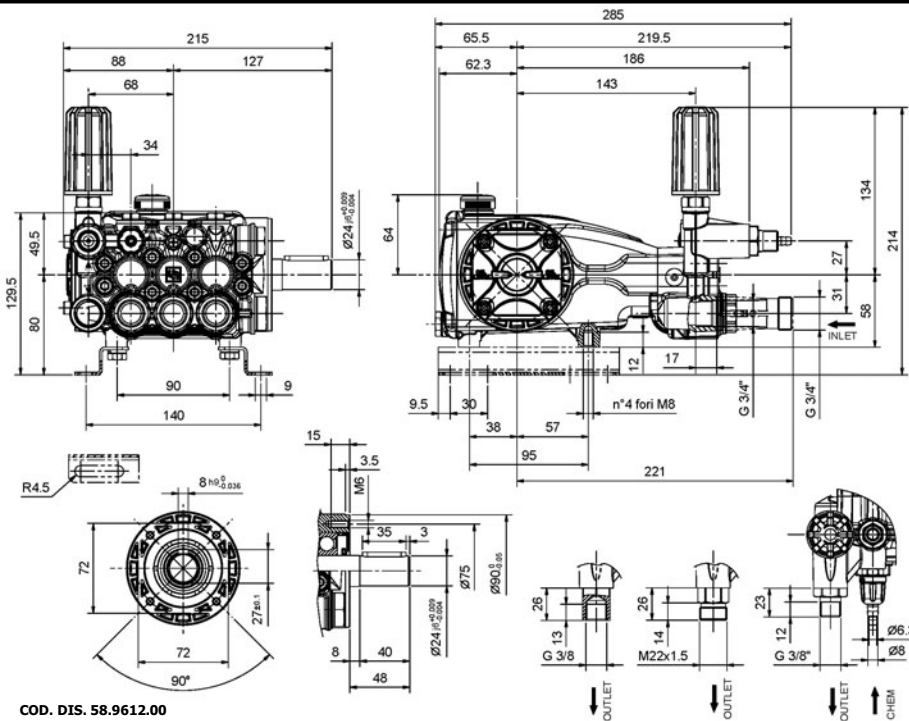
**DIMENSIONI D'INGOMBRO – OVERALL DIMENSIONS – DIMENSIONS D'ENCOMBREMENT
RAUMBEDARF – DIMENSIONES TOTALES – DIMENSÕES**



COD. DIS. 58.9608.00

**C11 - DX
VH VALVE**

**DIMENSIONI D'INGOMBRO – OVERALL DIMENSIONS – DIMENSIONS D'ENCOMBREMENT
RAUMBEDARF – DIMENSIONES TOTALES – DIMENSÕES**

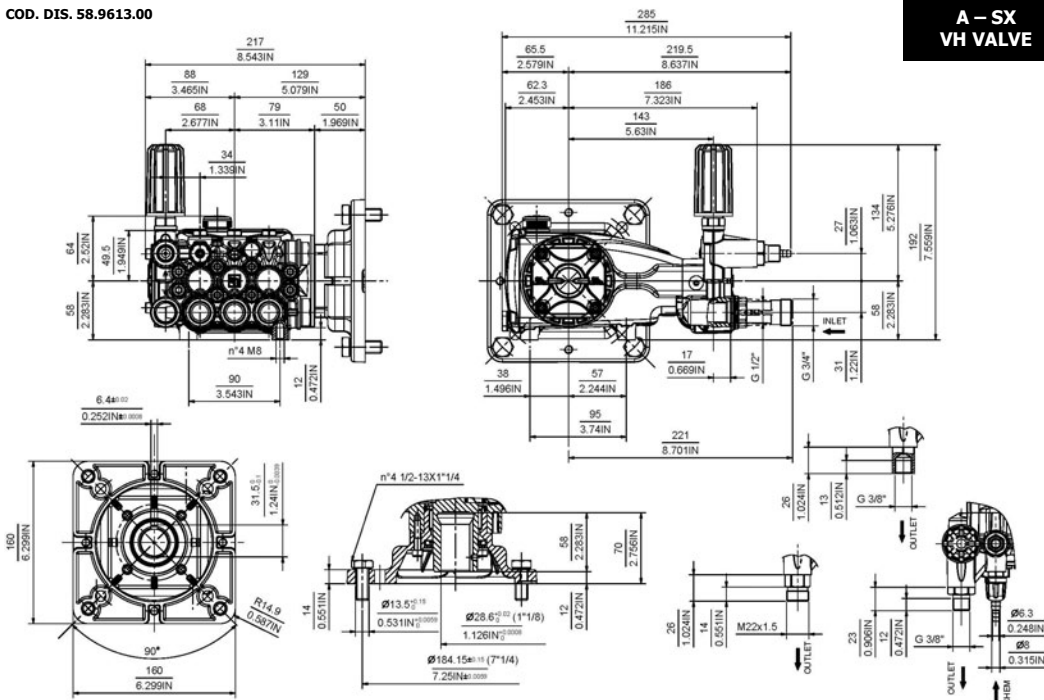


COD. DIS. 58.9612.00

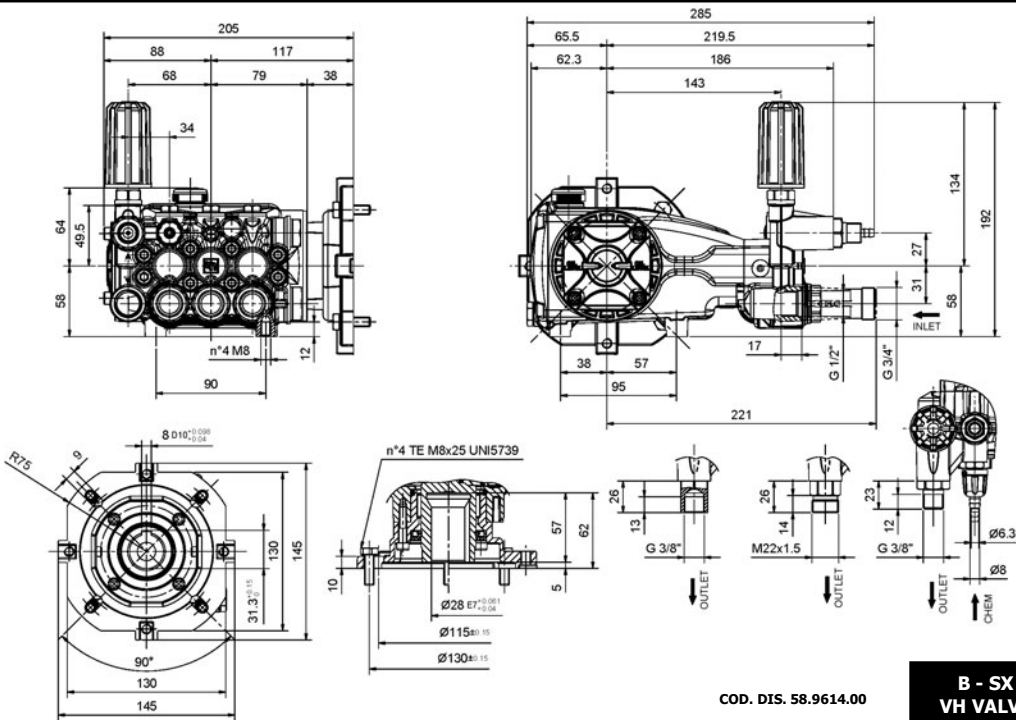
**STD. SX
VH VALVE**

COD. DIS. 58.9613.00

**A – SX
VH VALVE**



**DIMENSIONI D'INGOMBRO – OVERALL DIMENSIONS – DIMENSIONS D'ENCOMBREMENT
 RAUMBEDARF – DIMENSIONES TOTALES – DIMENSÕES**

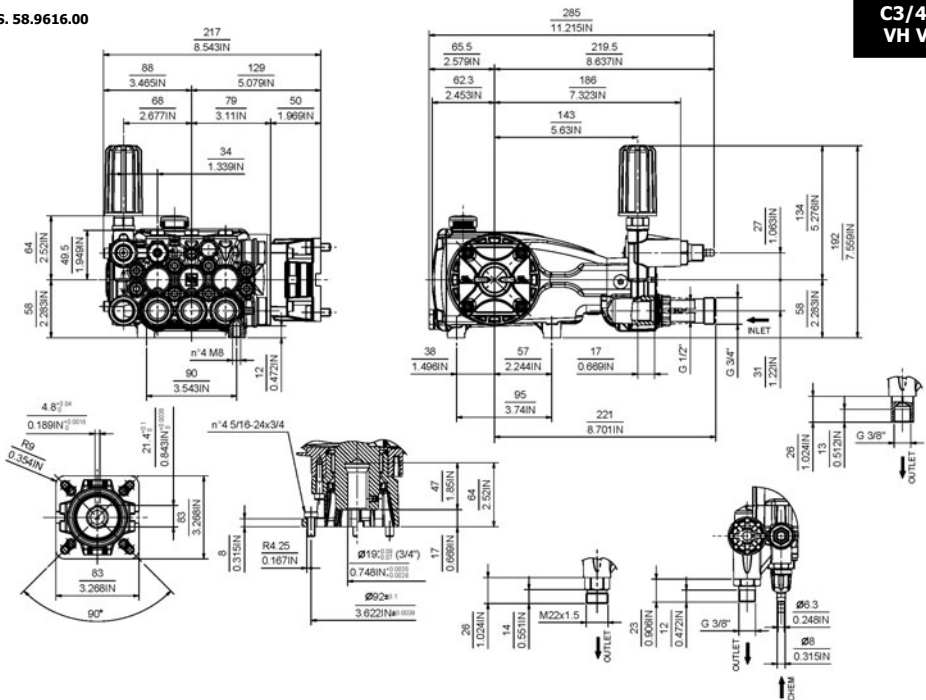


COD. DIS. 58.9614.00

**B - SX
 VH VALVE**

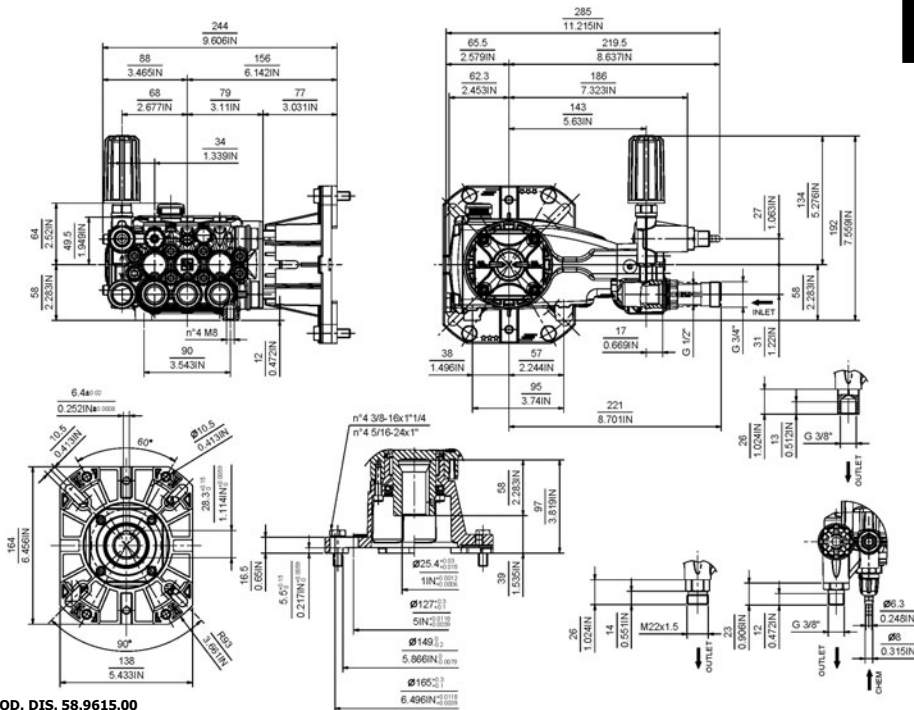
**C3/4" - SX
 VH VALVE**

COD. DIS. 58.9616.00



**DIMENSIONI D'INGOMBRO – OVERALL DIMENSIONS – DIMENSIONS D'ENCOMBREMENT
 RAUMBEDARF – DIMENSIONES TOTALES – DIMENSÕES**

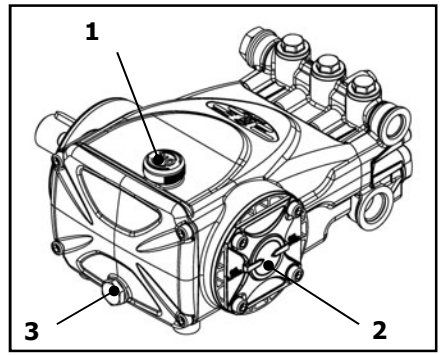
**C1" - SX
 VH VALVE**



COD. DIS. 58.9615.00

1 - CAMBIO OLIO

- 1.1 – Il cambio dell’olio va eseguito con pompa a temperatura di lavoro.
- 1.2 – Posizionare un recipiente sotto il tappo di scarico olio (3).
- 1.3 – Rimuovere il tappo con asta (1) e successivamente il tappo di scarico (3).
- 1.4 – Attendere fino a quando tutto l’olio è uscito, quindi riavvitare il tappo di scarico (3) con la coppia torcente indicata su disegno esplosivo.
- 1.5 – Riempire con olio nuovo fino al raggiungimento della mezziera del tappo spia livello olio (2) e riavvitare il tappo con asta (1) .



Per il tipo di olio da utilizzare fare riferimento a quanto indicato sul libretto generico.



ATTENZIONE: L’olio esausto deve essere raccolto in recipienti e smaltito negli appositi centri in accordo alla normativa vigente. Non deve essere assolutamente disperso nell’ambiente.

1 – OIL CHANGING

- 1.1 – Oil changing must be done with the pump at operating temperature.
- 1.2 – Put a container under the oil drain plug (3).
- 1.3 – Remove the oil dipstick (1) and then the drain plug (3).
- 1.4 – Wait until all the oil has drained out, then screw the drain plug (3) and tighten at the torque shown in the exploded diagram.
- 1.5 – Fill with new oil until the middle of the oil level indicator (2) is reached, screw by hand the oil dipstick (1).

Refer to the generic booklet for the type of oil to use.



WARNING: The exhaust oil must be collected in receptacles and disposed of at authorised centres as specified by law. It must not be thrown away in the environment.

1 - CHANGEMENT DE L’HUILE

- 1.1 – Le changement de l’huile doit être exécuté avec la pompe à température d’exercice.
- 1.2 – Placer un récipient sous le bouchon de vidange de l’huile (3).
- 1.3 – Enlever le bouchon-jauge (1), puis enlever le bouchon de vidange (3).
- 1.4 – Attendre que toute l’huile soit sortie, puis revisser le bouchon de vidange (3) avec le couple de torsion qui est indiqué sur le dessin éclaté.
- 1.5 – Remplir avec de l’huile neuve jusqu’à la ligne médiane du bouchon indicateur du niveau d’huile (2), et revisser le bouchon-jauge (1).

Pour le type d’huile à utiliser, se référer à ce qui est indiqué sur la notice générale.



ATTENTION : L’huile usée doit être recueillie dans des récipients et éliminée dans les centres prévus à cet effet, conformément à la réglementation en vigueur. Il ne faut absolument pas la jeter dans l’environnement.

1 - ÖLWECHSEL

1.1 – Beim Ölwechsel muss die Pumpe Betriebstemperatur aufweisen.

1.2 – Unter den Ölablassverschluss (3) einen Behälter stellen.

1.3 – Den Verschluss mit dem Stab (1) und danach den Ablassverschluss (3) abnehmen.

1.4 – Warten, bis das gesamte Öl abgelassen ist und den Ablassverschluss (3) mit dem auf der Übersichtszeichnung angegebenen Drehmoment wieder anschrauben.

1.5 – Mit frischem Öl füllen, bis die Mittellinie des Ölstandkontrollverschlusses (2) erreicht ist und den Verschluss mit dem Stab (1) wieder anschrauben.

Bezüglich der verwendbaren Ölsorten siehe die Angaben im allgemeinen Handbuch.



ACHTUNG: Das Altöl muss in Behältern gesammelt und gemäß den geltenden Vorschriften bei den hierfür vorgesehenen Zentren entsorgt werden. Es darf keinesfalls umweltschädigend entsorgt werden.

1 - CAMBIO DE ACEITE

1.1 – El cambio de aceite se efectúa con bomba a temperatura de trabajo.

1.2 – Colocar un recipiente debajo del tapón de descarga de aceite (3).

1.3 – Extraer el tapón con varilla (1) y seguidamente el tapón de descarga (3).

1.4 – Esperar hasta que haya salido todo el aceite, volver a enroscar el tapón de descarga (3) con el par de torsión indicado en el despiece.

1.5 – Llenar con aceite nuevo hasta alcanzar la línea media del tapón indicador de nivel de aceite (2) y volver a enroscar el tapón con varilla (1).

Para el tipo de aceite que debe utilizarse, remitirse a las indicaciones del manual general.



ATENCIÓN: El aceite residual debe recogerse en recipientes y eliminarse en los centros pertinentes de acuerdo con la normativa vigente. En ningún caso debe dispersarse en el ambiente.

1 - TROCA DE ÓLEO

1.1 – A troca de óleo deve ser feita com a bomba na temperatura de trabalho.

1.2 – Posicionar um recipiente embaixo da tampa de descarga de óleo (3).

1.3 – Remover a tampa com o pino (1) e, em seguida, a tampa de descarga (3).

1.4 – Esperar que todo o óleo saia, recolocar a tampa de descarga (3) com o binário de torção indicado no desenho explodido.

1.5 – Encher com o óleo novo até chegar na linha da tampa de controle do nível do óleo (2) e recolocar a tampa com o pino (1).

Para o tipo de óleo a ser utilizado, consultar as indicações do livro genérico.



ATENÇÃO: O óleo consumido deve ser coletado em recipientes e eliminado nos locais adequados, de acordo com a normativa vigente. Não deve, de modo algum, ser jogado no ambiente.

DICHIARAZIONE DI INCORPORAZIONE

(Ai sensi dell'allegato II della Direttiva Europea 2006/42/CE).

Il produttore **INTERPUMP GROUP S.p.A.** – Via E. Fermi, 25 – 42049 S.ILARIO D'ENZA (RE) - Italia
DICHIARA sotto la propria esclusiva responsabilità che l'attrezzatura identificata e descritta come segue :
Denominazione: Pompa

Tipo: Pompa alternativa a pistoni per acqua ad alta pressione

Marchio di fabbrica: INTERPUMP GROUP

Modello: E2B1618 - E2B2008 – E2B2808 – E2B2010 – E2B1711 - E2B1712 – E2B1713 – E2B2014 – E2B2015
E2C2109 - E2C2809 – E2C2111 – E2C2112 – E2C1713 - E2C1714 - E2C1715 – E2C2016 - E2D2010
E2D2810 - E2D2011 – E2D2811 - E2D2812 - E2D2013 – E2D2813 - E2D2015 - E2D2016 - ED22108
E2D2808 - E2E2810 - E2E2111 - E2E2811 – E2E2812 – E2E2113 - E2E2813 - E2E2114 – E2E2815 – E2E2116

Risulta essere conforme alle sotto elencate direttive e successivi aggiornamenti :

- Direttiva Macchine 2006/42/CE
- Direttiva sulla restrizione dell'uso di determinate sostanze pericolose nelle apparecchiature elettriche ed elettroniche 2011/65/UE - RoHS

L'attrezzatura non contiene sostanze con restrizioni d'uso in concentrazione maggiore di quelle elencate nell'allegato II ad eccezione delle applicazioni esentate dalle restrizioni elencate nell'allegato III.

Norme applicate : UNI EN ISO 12100:2010 - UNI EN 809:2000

La pompa sopra identificata rispetta i seguenti requisiti essenziali di sicurezza e di tutela della salute elencati nel punto 1 dell'allegato I della Direttiva Macchine :

1.1.2 - 1.1.3 - 1.1.5 - 1.3.1 - 1.3.2 - 1.3.3 - 1.3.4 - 1.5.4 - 1.5.5 - 1.6.1 - 1.7.1 - 1.7.2 - 1.7.4 - 1.7.4.1 - 1.7.4.2
e la relativa documentazione tecnica è stata compilata in conformità dell'allegato VII B.

Inoltre il produttore si impegna a rendere disponibile, a seguito di una richiesta adeguatamente motivata, copia della documentazione tecnica pertinente la pompa nei modi e nei termini da definire.

La pompa non deve essere messa in servizio finché l'impianto al quale la pompa deve essere incorporata è stato dichiarato conforme alle disposizioni delle relative direttive e/o norme.

Persona autorizzata a costituire il fascicolo tecnico : Nome: Maurizio Novelli

Indirizzo: INTERPUMP GROUP S.p.A. – Via E. Fermi, 25 – 42049 S. ILARIO D'ENZA (RE) – Italia

Persona autorizzata a redigere la dichiarazione : L'amministratore delegato Ing. Paolo Marinsek

Reggio Emilia 03/2013

Firma



DECLARATION OF INCORPORATION

(In accordance with Annex II of European Directive 2006/42/CE).

The manufacturer **INTERPUMP GROUP S.p.A.** – Via E. Fermi, 25 – 42049 S.ILARIO D'ENZA (RE) - Italy **DECLARES** under sole responsibility that the equipment identified and described as follows :

Name: Pump

Type: Reciprocating plunger pump for high pressure water

Trademark: INTERPUMP GROUP

Model: E2B1618 - E2B2008 – E2B2808 – E2B2010 – E2B1711 - E2B1712 – E2B1713 – E2B2014 – E2B2015
E2C2109 - E2C2809 – E2C2111 – E2C2112 – E2C1713 - E2C1714 - E2C1715 – E2C2016 - E2D2010
E2D2810 - E2D2011 – E2D2811 - E2D2812 - E2D2013 – E2D2813 - E2D2015 - E2D2016 - ED22108
E2D2808 - E2E2810 - E2E2111 - E2E2811 – E2E2812 – E2E2113 - E2E2813 - E2E2114 – E2E2815 –
E2E2116

Complies with the requirements of the directives listed below and subsequent updates :

- Machinery Directive 2006/42/CE
- Directive 2011/65/EU – RoHS on the restriction of the use of certain hazardous substances in electrical and electronic equipment.

The equipment does not contain more than the specified concentrations of restricted substances listed in Annex II except for the applications exempted from the restriction listed in Annex III.

Standards applied : UNI EN ISO 12100:2010 - UNI EN 809:2000

The pump identified above meets all the essential safety and health protection requirements as listed in section 1 of Annex I of the Machinery Directive :

1.1.2 - 1.1.3 - 1.1.5 - 1.3.1 - 1.3.2 - 1.3.3 - 1.3.4 - 1.5.4 - 1.5.5 - 1.6.1 - 1.7.1 - 1.7.2 - 1.7.4 - 1.7.4.1 - 1.7.4.2
and the relevant technical documentation has been compiled in accordance with Annex VII B.

In addition, the manufacturer undertakes to make available, following a reasoned request, a copy of the relevant technical pump documentation in the manner and terms to be defined.

The pump should not be put into service until the plant to which the pump is to be incorporated has been declared in accordance with the provisions of the relevant directives and/or standards.

Person authorised to compile the technical file :

Name: Maurizio Novelli

Address: INTERPUMP GROUP S.p.A. – Via E. Fermi, 25 – 42049 S. ILARIO D'ENZA (RE) – Italy

Person authorized to draw up the declaration :

CEO Mr. Paolo Marinsek

Reggio Emilia 03/2013

Signature 

DÉCLARATION D'INCORPORATION

(Conformément à l'annexe II de la Directive Européenne 2006/42/CE).

Le fabricant **INTERPUMP GROUP S.p.A.** – Via E. Fermi, 25 – 42049 S.ILARIO D'ENZA (RE) - Italie

DÉCLARE sous sa seule responsabilité que l'équipement identifié et décrit comme suit :

Description: Pompe

Type: Pompe alternative à pistons pour eau à haute pression

Marque de fabrique: INTERPUMP GROUP

Modèle: E2B1618 - E2B2008 – E2B2808 – E2B2010 – E2B1711 - E2B1712 – E2B1713 – E2B2014 – E2B2015

E2C2109 - E2C2809 – E2C2111 – E2C2112 – E2C1713 - E2C1714 - E2C1715 – E2C2016 - E2D2010

E2D2810 - E2D2011 – E2D2811 - E2D2812 – E2D2013 – E2D2813 - E2D2015 - E2D2016 - ED22108

E2D2808 - E2E2810 - E2E2111 - E2E2811 – E2E2812 – E2E2113 - E2E2813 - E2E2114 – E2E2815 –

E2E2116 Est conforme aux spécifications des directives énumérées ci-dessous et mises à jour suivantes:

- Directive Machines 2006/42/CE

- Directive relative à la limitation de l'utilisation de certaines substances dangereuses dans les équipements électriques et électroniques 2011/65/UE – RoHS

L'équipement ne contient pas de substances assorties de restrictions concernant l'utilisation en concentration plus élevée que celles énumérées à l'annexe II, sauf pour des applications exemptées des restrictions énumérées à l'annexe III.

Normes appliquées : UNI EN ISO 12100:2010 - UNI EN 809:2000

La pompe identifiée ci-dessus répond aux exigences essentielles de sécurité et protection de la santé suivantes énumérées au point 1 de l'annexe I de la Directive Machines :

1.1.2 - 1.1.3 - 1.1.5 - 1.3.1 - 1.3.2 - 1.3.3 - 1.3.4 - 1.5.4 - 1.5.5 - 1.6.1 - 1.7.1 - 1.7.2 - 1.7.4 - 1.7.4.1 - 1.7.4.2 et la documentation technique pertinente est constituée conformément à l'annexe VII B.

De plus, le fabricant s'engage à rendre disponible, suite à une demande adéquatement motivée, une copie de la documentation technique relative à la pompe dans les modes et les termes à définir.

La pompe ne doit pas être mise en marche tant que l'installation à laquelle la pompe doit être incorporée n'a pas été déclarée conforme aux dispositions des directives et / ou normes relatives.

Personne autorisée à réaliser le manuel technique :

Nom : Maurizio Novelli

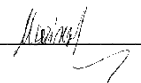
Adresse: INTERPUMP GROUP S.p.A. – Via E. Fermi, 25 – 42049 S. ILARIO D'ENZA (RE) – Italie

Personne autorisée à rédiger la déclaration :

L'administrateur délégué Ing. Paolo Marinsek

Reggio Emilia 03/2013

Signature



EINBAUERKLÄRUNG

(gemäß Anhang II der Europäischen Richtlinie 2006/42/EG).

Der Hersteller **INTERPUMP GROUP S.p.A.** – Via E. Fermi, 25 – 42049 S.ILARIO D'ENZA (RE) - Italien
ERKLÄRT auf alleinige Verantwortung, dass das wie folgt bezeichnete und beschriebene Gerät :
Bezeichnung: Pumpe

Typ: Kolbenpumpe für Hochdruck-Wasser

Herstellermarke: INTERPUMP GROUP

Modell: E2B1618 - E2B2008 - E2B2808 - E2B2010 - E2B1711 - E2B1712 - E2B1713 - E2B2014 - E2B2015
E2C2109 - E2C2809 - E2C2111 – E2C2112 – E2C1713 - E2C1714 - E2C1715 - E2C2016 - E2D2010
E2D2810 - E2D2011 - E2D2811 - E2D2812 - E2D2013 - E2D2813 - E2D2015 - E2D2016 - ED22108
E2D2808 - E2E2810 - E2E2111 - E2E2811 - E2E2812 - E2E2113 - E2E2813 - E2E2114 – E2E2815 - E2E2116

mit den nachstehend aufgelisteten Richtlinien und ihren nachfolgenden Aktualisierungen konform ist :

- Maschinenrichtlinie 2006/42/EG
- Richtlinie zur Beschränkung der Verwendung bestimmter gefährlicher Stoffe in Elektro- und Elektronikgeräten 2011/65/EU – RoHS

Das Gerät enthält keine Stoffe, für die Beschränkungen bezüglich ihrer Verwendung in Konzentrationen bestehen, die über denen im Anhang II liegen, mit Ausnahme von Anwendungen, die von den im Anhang II aufgeführten Beschränkungen ausgenommen sind.

Angewandte Normen : UNI EN ISO 12100:2010 - UNI EN 809:2000

Die oben genannte Pumpe genügt den folgenden grundlegenden Sicherheits- und Gesundheitsschutzanforderungen, die unter Punkt 1 des Anhangs I der Maschinenrichtlinie aufgeführt sind.
1.1.2 - 1.1.3 - 1.1.5 - 1.3.1 - 1.3.2 - 1.3.3 - 1.3.4 - 1.5.4 - 1.5.5 - 1.6.1 - 1.7.1 - 1.7.2 - 1.7.4 - 1.7.4.1 - 1.7.4.2
Die speziellen technischen Unterlagen wurden gemäß Anhang VII Teil B erstellt.

Darüber hinaus verpflichtet sich der Hersteller einzelstaatlichen Stellen auf begründetes Verlangen die speziellen technischen Unterlagen zur Pumpe in festzulegenden Modalitäten und Fristen zu übermitteln.


Die Pumpe darf erst dann in Betrieb genommen werden, wenn gegebenenfalls festgestellt wurde, dass die Maschine, in die die Pumpe eingebaut werden soll, den Bestimmungen der entsprechenden Richtlinien und/oder Normen entspricht .

Person, die bevollmächtigt ist, die relevanten technischen Unterlagen zusammenzustellen: Maurizio Novelli

Adresse: INTERPUMP GROUP S.p.A. – Via E. Fermi, 25 – 42049 S. ILARIO D'ENZA (RE) – Italien

Person, die zur Ausstellung dieser Erklärung bevollmächtigt ist: Der Geschäftsführer Ing. Paolo Marinsek

Reggio Emilia 03/2013

Unterschrift 

DECLARACIÓN DE INCORPORACIÓN

(De acuerdo con el anexo II de la Directiva Europea 2006/42/CE).

El fabricante **INTERPUMP GROUP S.p.A.** – Via E. Fermi, 25 – 42049 S.ILARIO D'ENZA (RE) – Italia
DECLARA bajo su propia y exclusiva responsabilidad al aparato identificado y descrito del siguiente modo :
Denominación: Bomba

Tipo: Bomba alternativa con pistones para agua de alta presión

Marca de fábrica: INTERPUMP GROUP

Modelo: E2B1618 - E2B2008 – E2B2808 - E2B2010 - E2B1711 - E2B1712 - E2B1713 - E2B2014 - E2B2015
E2C2109 - E2C2809 - E2C2111 - E2C2112 - E2C1713 - E2C1714 - E2C1715 - E2C2016 - E2D2010
E2D2810 - E2D2011 - E2D2811 - E2D2812 - E2D2013 - E2D2813 - E2D2015 - E2D2016 - ED22108
E2D2808 - E2E2810 - E2E2111 - E2E2811 - E2E2812 - E2E2113 - E2E2813 - E2E2114 - E2E2815 - E2E2116

Resulta ser conforme con las directivas que se indican a continuación y con sus sucesivas actualizaciones:

- Directiva de Máquinas 2006/42/CE
- Directiva acerca de la restricción del uso de determinadas sustancias peligrosas en máquinas eléctricas y electrónicas 2011/65/UE – RoHS

El aparato no contiene sustancias con restricción de uso en concentración mayor de aquellas citadas en el anexo II, exceptuando las aplicaciones exentes de las restricciones citadas en el anexo III.

Normas aplicadas : UNI EN ISO 12100:2010 - UNI EN 809:2000

La bomba identificada anteriormente respeta los siguientes requisitos esenciales de seguridad y de protección de la salud citados en el punto 1 del anexo I de la Directiva de Máquina :

1.1.2 - 1.1.3 - 1.1.5 - 1.3.1 - 1.3.2 - 1.3.3 - 1.3.4 - 1.5.4 - 1.5.5 - 1.6.1 - 1.7.1 - 1.7.2 - 1.7.4 - 1.7.4.1 - 1.7.4.2
y la correspondiente documentación técnica ha sido compilada de acuerdo con el anexo VII B.

Además el fabricante se compromete en hacer disponible, después haberse llevado a cabo una solicitud adecuadamente motivada, una copia de la documentación técnica pertinente de la bomba en una modalidad y en un plazo aún por definir.

La bomba no debe ser puesta en funcionamiento, hasta que el sistema al cuál la bomba debe ser incorporada, haya sido declarado conforme a las disposiciones de las respectivas directivas y/o normativas.

Persona autorizada a realizar el fascículo técnico :


Nombre: Maurizio Novelli

Dirección: INTERPUMP GROUP S.p.A. – Via E. Fermi, 25 – 42049 S. ILARIO D'ENZA (RE) – Italia

Persona autorizada a redactar la declaración :

El administrador delegado Ing. Paolo Marinsek

Reggio Emilia 03/2013

Firma 

DECLARAÇÃO DE INCORPORAÇÃO

(Nos termos do anexo II da Directiva Europeia 2006/42/CE).

O fabricante **INTERPUMP GROUP S.p.A.** – Via E. Fermi, 25 – 42049 S.ILARIO D'ENZA (RE) - Itália **DECLARA** sob a sua exclusiva responsabilidade que os equipamentos identificados e descritos tal como se segue :

Denominação: Bomba

Tipo: Bomba alternativa com pistões para água a alta pressão

Marca de fábrica: INTERPUMP GROUP

Modelo: E2B1618 - E2B2008 – E2B2808 - E2B2010 - E2B1711 - E2B1712 - E2B1713 - E2B1715 - E2B2014 - E2B2015

E2C2109 - E2C2809 - E2C2111 - E2C2112 - E2C1713 - E2C1714 - E2C1715 - E2C2016 - E2D2010

E2D2810 - E2D2011 - E2D2811 - E2D2812 - E2D2013 - E2D2813 - E2D2015 - E2D2016 - ED22108

E2D2808 - E2E2810 - E2E2111 - E2E2811 - E2E2812 - E2E2113 - E2E2813 - E2E2114 - E2E2815 - E2E2116

Está em conformidade às directivas abaixo indicadas e posteriores actualizações :

- Directiva Máquinas 2006/42/CE

- Directiva sobre a restrição de uso de determinadas substâncias perigosas em aparelhos eléctricos e electrónicos 2011/65/UE – RoHS

O equipamento não contém substâncias com restrições de uso em concentração superior às indicadas no anexo II, á excepção das aplicações isentas das restrições indicadas no anexo III.

Normas aplicadas : UNI EN ISO 12100:2010 - UNI EN 809:2000

A bomba acima identificada respeita os seguintes requisitos essenciais de segurança e de tutela da saúde, referidos no ponto 1 do anexo I da Directiva Máquinas :

1.1.2 - 1.1.3 - 1.1.5 - 1.3.1 - 1.3.2 - 1.3.3 - 1.3.4 - 1.5.4 - 1.5.5 - 1.6.1 - 1.7.1 - 1.7.2 - 1.7.4 - 1.7.4.1 - 1.7.4.2 e a respectiva documentação técnica foi compilada em conformidade com o anexo VII B.

Além disso, o fabricante compromete-se a disponibilizar, mediante pedido adequadamente motivado, uma cópia da documentação técnica referente à bomba, em modos e termos a definir.

A bomba não deve ser colocada em funcionamento até que o sistema no qual tem de ser incorporada seja declarado em conformidade com as disposições das respectivas directivas e/ou normas.

Pessoa autorizada a compilar a documentação técnica : Nome: Maurizio Novelli

Morada: INTERPUMP GROUP S.p.A. – Via E. Fermi, 25 – 42049 S. ILARIO D'ENZA (RE) – Itália

Pessoa autorizada a redigir a declaração :

O administrador delegado Eng.º Paolo Marinsek

Reggio Emilia 03/2013

Assinatura



COPYRIGHT Il contenuto di questo libretto è di proprietà di INTERPUMP GROUP, ne è vietata la riproduzione e/o la divulgazione, anche parziale, a termini di legge.

COPYRIGHT The contents of this booklet are the property of INTERPUMP GROUP. Reproduction and divulgation, in whole or in part, are prohibited by law.

COPYRIGHT Le contenu de cette notice appartient à INTERPUMP GROUP : aux termes de la loi il est interdit de le reproduire et/ou de le divulguer, même partiellement.

COPYRIGHT Der Inhalt dieser Bedienungsanleitung ist Eigentum von INTERPUMP GROUP. Die auch nur teilweise Reproduktion und/oder Verbreitung ist gesetzlich verboten.

COPYRIGHT El contenido del presente manual es propiedad de INTERPUMP GROUP y está legalmente prohibida su reproducción y/o divulgación parcial o total.

COPYRIGHT O conteúdo deste livro é de propriedade da INTERPUMP GROUP, e é proibida a sua reprodução e/ou a sua divulgação, mesmo parcial, nos termos da lei.

Le informazioni presenti su questo documento possono essere variate senza preavviso.

The information contained in this document may change without notice.

Les informations présentes sur ce document peuvent être changées sans besoin de préavis.

Die in diesem Dokument enthaltenen Informationen können ohne Vorankündigung geändert werden.

La información contenida en el presente documento puede modificarse sin previo aviso.

As informações contidas neste documento poderão ser sujeitas a alterações sem aviso prévio.



**INTERPUMP
GROUP**

**AZIENDA CON SISTEMA
DI GESTIONE QUALITÀ
CERTIFICATO DA DNV GL
= ISO 9001 =**

VIA FERMI, 25 42049 S.ILARIO – REGGIO EMILIA (ITALY)
TEL.+39 – 0522 - 904311 TELEFAX +39 – 0522 – 904444
E-mail: info@interpumpgroup.it - <http://www.interpumpgroup.it>