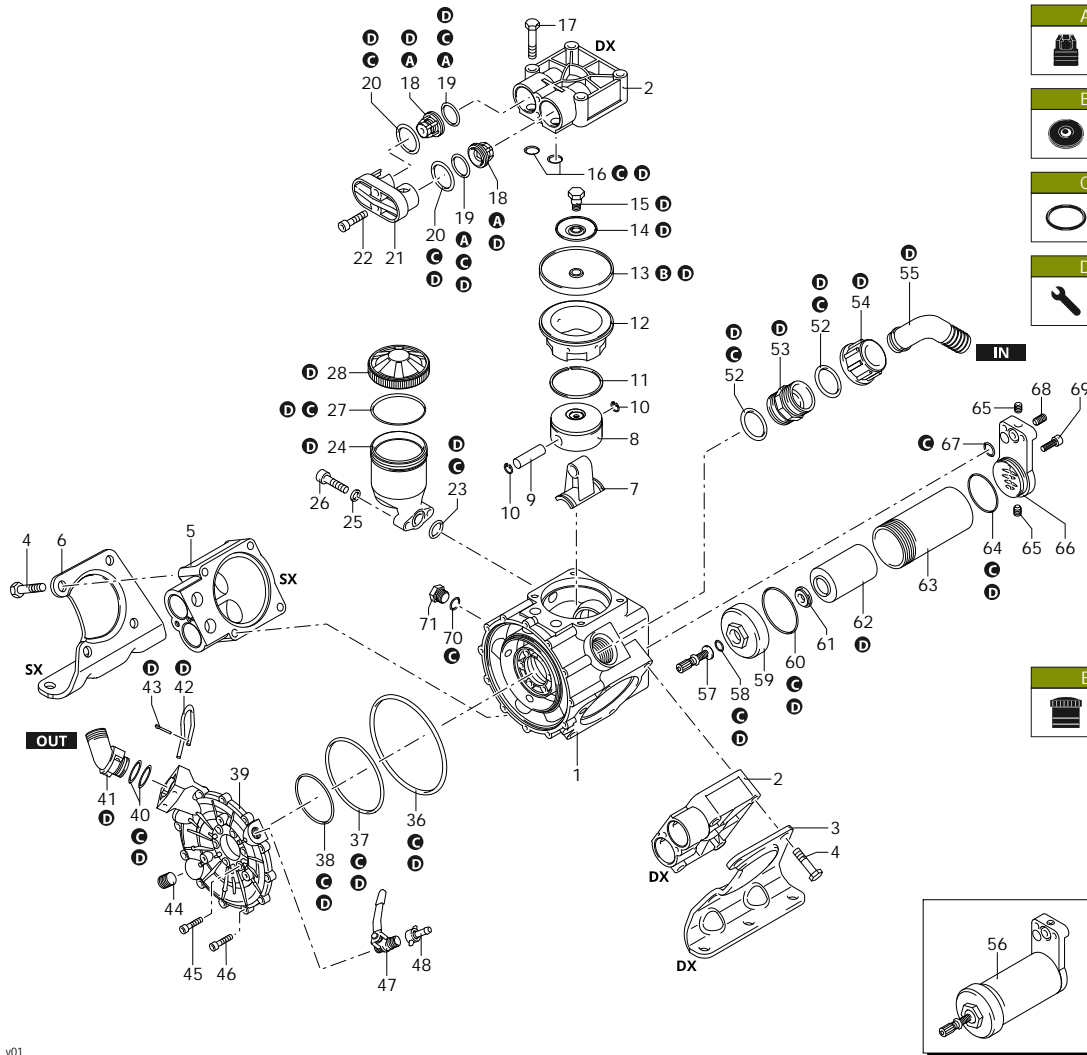




ELECTRIC MOTOR PUMP AR 813

32237 Elettropompa AR 813 G.C.I. - BlueFlex



AR_01_051_v01

Customer: AR
Customer Code:



SAE 30
1,000 Kg

Revision: 1

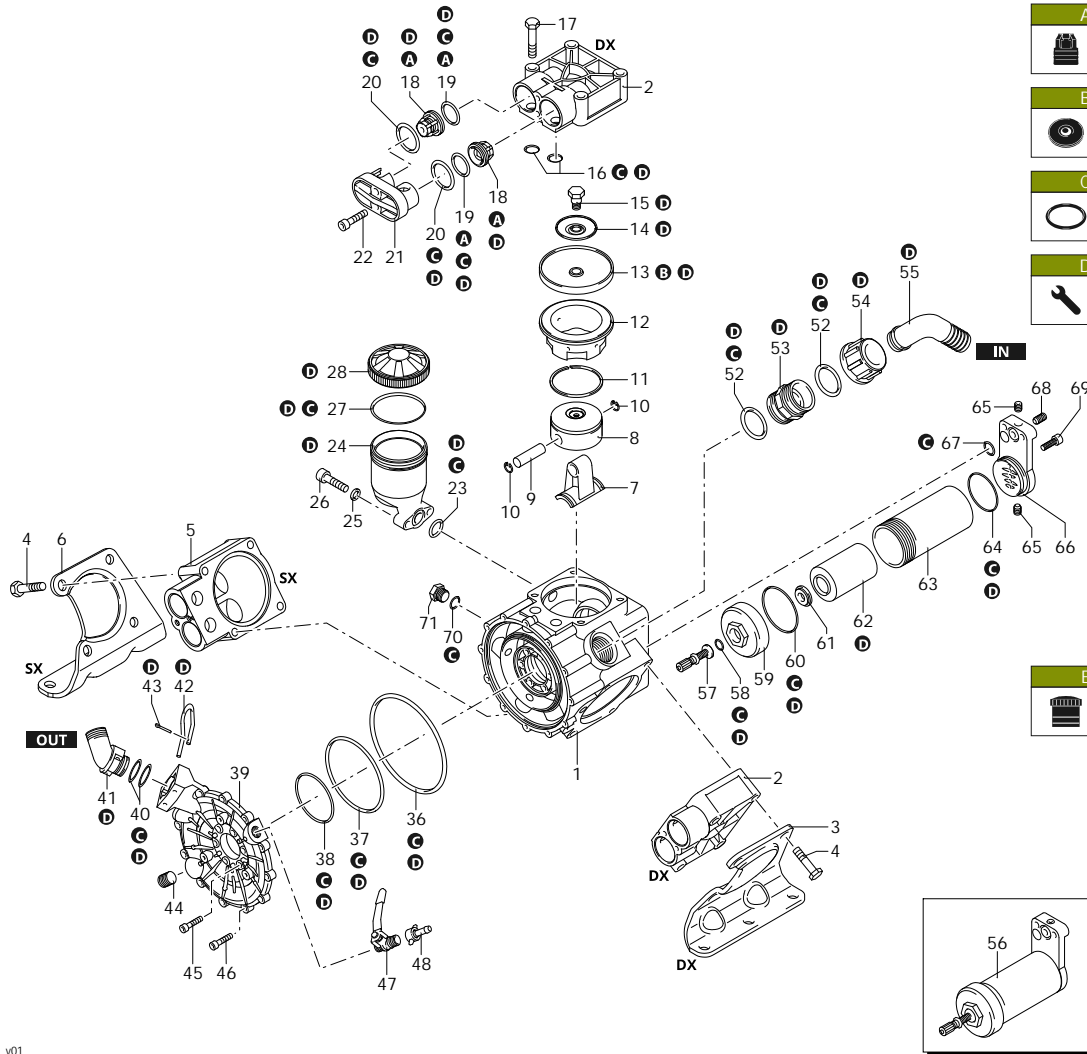
Date: 26/08/2023

Code	Description	Q	Note
1	1800140 Pump body	1	
2	1040551 Head	dx	2
3	1800430 Foot		1
4	750060 Screw	TE M12x65	8 C=50Nm
5	1040552 Head	sx	1
6	1800440 Foot		1
7	1800050 Connecting-rod		3
8	1040120 Piston	Ø 63	3
9	1040070 Pin		3 Lubricate with Mineral Grease
10	1040270 Ring	seeger Øi 15	6
11	650190 Piston ring		3
12	1500080 Sleeve		3
13	1040083 Diaphragm	BlueFlex - Øe 105	3
14	1040180 Plate		3
15	580361 Hub pin		3 C=30Nm / Lubricate with P-40 Grease
16	960160 O-ring	Ø 17,86x2,62	6 Lubricate Molykote PG54
17	1480040 Screw	TE M12x60	4 C=50Nm
18	1409050 Valve		6
19	620030 O-ring	Ø 25,80x3,53	6 Lubricate with motor oil
20	540361 O-ring	Ø 33,05x1,78	6 Lubricate with motor oil
21	1300190 Plug		3
22	620610 Screw	TCEI M8x30	6 C=20Nm
23	390180 O-ring	Ø 18,72x2,62	1 Lubricate with motor oil
24	680031 Tank		1
25	380241 Washer		2
26	680350 Screw	TCEI M8x35	2 C=10Nm
27	1040060 O-ring	Ø 72,69x2,62	1 Lubricate Molykote Longterm W2
28	1800060 Plug	black	1
36	1400120 O-ring	Ø 145,72x2,62	1 Lubricate with motor oil
37	1800161 O-ring	Ø 113,97x2,62 Viton	1 Lubricate with motor oil
38	1040060 O-ring	Ø 72,69x2,62	1 Lubricate Molykote Longterm W2
39	1800150 Line	intake/delivery	1
40	390180 O-ring	Ø 18,72x2,62	2 Lubricate with motor oil
41	1040760 Fitting	3/4" G	1
42	1040690 Fork		1
43	1040950 Split pin		1
44	1800240 Screw		2 C=20Nm / Loxeal 55-14
45	780060 Screw	TCEI M6x25	6 C=10Nm
46	1040370 Screw	TCEI M6x22	12 C=10Nm
47	130491 Valve	3/8" G - 1/2" G (M-M)	1 C=20Nm / Loxeal 55-14
48	110131 Ring nut	1/2" G	1
52	250310 O-ring	Ø 36,14x2,62	2 Lubricate with motor oil
53	540530 Fitting	1" 1/4 G - 1" 3/4 G (M-M)	1 C=20Nm
54	540540 Ring nut	1" 3/4 G	1
55	540550 Elbow	Ø 40	1
56	1536 Air chamber	NBR	1
57	1800350 Air valve		1 C=4Nm / Loxeal 55-14



ELECTRIC MOTOR PUMP AR 813

32237 Elettropompa AR 813 G.C.I. - BlueFlex



Code	Description	Q	Note
58	650542 Gasket	1	Lubricate with motor oil
59	1800270 Cover	1	Lubricate with motor oil
60	650560 O-ring	Ø 56,82x2,62	1 Lubricate with motor oil
61	1800311 Plate	1	
62	1800300 Diaphragm	NBR	1
63	1800280 Pipe		1 C=20Nm / Loxeal 83-21
64	540360 O-ring	Ø 44,12x2,62	1 Lubricate with motor oil
65	1040470 Screw	M10x8	2 C=20Nm / Loxeal 83-21
66	1800290 Fitting		1
67	640070 O-ring	Ø 13,95x2,62	1 Lubricate Molykote G-807
68	1040260 Screw	M10x25	1 C=10Nm / Loxeal 55-14
69	320360 Screw	TCEI M8x22	2 C=20Nm
70	960160 O-ring	Ø 17,86x2,62	1 Lubricate Molykote PG54
71	880530 Plug	3/8" G	1 C=20Nm
A	1963 Valve kit		1
B	43127 Diaphragms kit	BlueFlex	1
C	43020 O-ring kit		1
D	47440 Maintenance repair kit	BlueFlex	1
E	47196 Tank kit		1

AR_01_051_v01

Customer: AR
Customer Code:



SAE 30
1,000 Kg

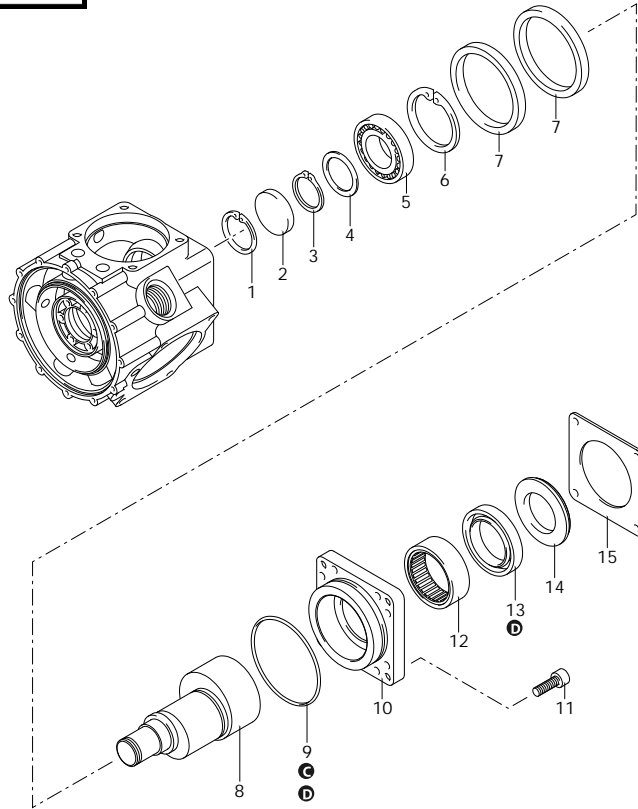
Revision: 1

Date: 26/08/2023



ELECTRIC MOTOR PUMP AR 813

32237 ELETTROPOMPA AR 813 G.C.I. - BlueFlex



Code	Description		Q	Note
1	1460490 Ring	seeger Øi 47	1	
2	1800260 Cover		1	
3	1040570 Ring	seeger Øe 35	1	
4	1040850 Spacer		1	
5	161060 Bearing		1	Press Mount
6	161050 Ring	seeger Øi 72	1	
7	1040340 Ring	Connecting-rod	2	
8	1800250 Shaft	AA marked	1	
9	1040060 O-ring	Ø 72,69x2,62	1	Lubricate Molykote Longterm W2
10	1800210 Flange		1	
11	180030 Screw	TCEI M8x20	8	C=20Nm / Loxeal 55-14
12	650200 Bearing		1	Press Mount
13	1400150 Ring	seal	1	Lubricate with Mineral Grease
14	1400110 Ring		1	
15	1400140 Flange		1	
A	1963 Valve kit		1	
B	43127 Diaphragms kit	BlueFlex	1	
C	43020 O-ring kit		1	
D	47440 Maintenance repair kit	BlueFlex	1	

AR_03_084_v01

Customer: AR
Customer Code:



SAE 30
1,000 Kg

Revision: 1

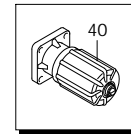
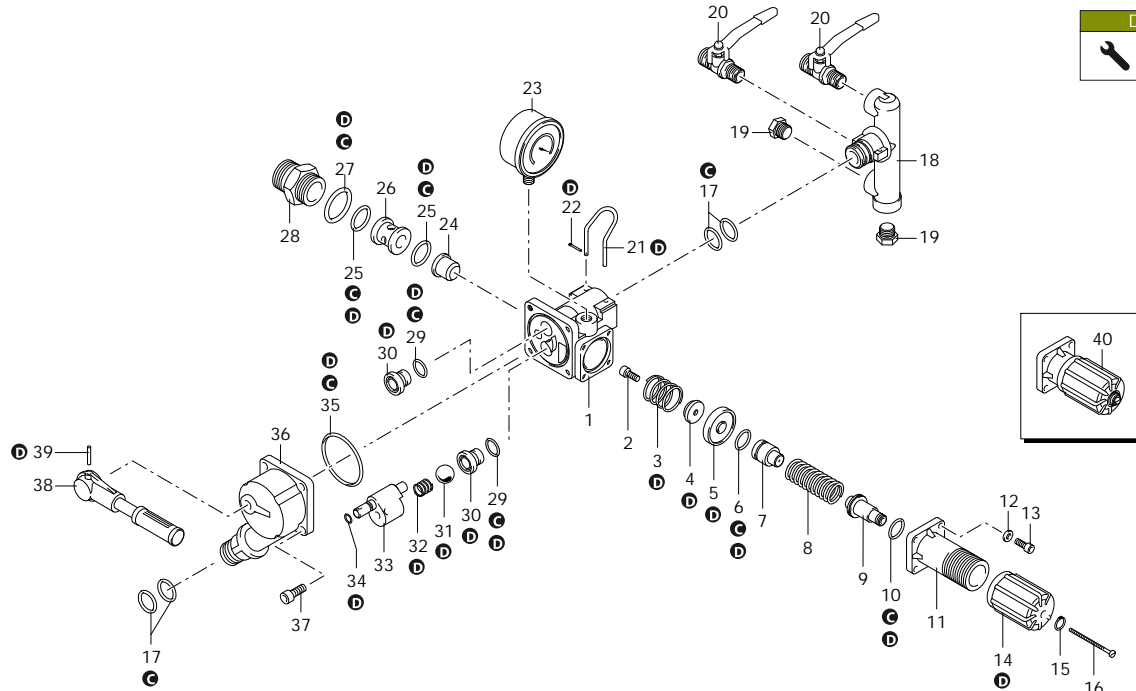
Date: 26/08/2023



ELECTRIC MOTOR PUMP AR 813

32237 ELETTROPOMPA AR 813 G.C.I. - BlueFlex

950



Code	Description	Q	Note
1	1040601 Body	1	
2	680560 Screw	TCEI M6x16	1 C=10Nm / Loxeal 55-14
3	1040650 Spring		1
4	1040640 Valve		1
5	1040630 Diaphragm	Desmopan - Øe 40	1
6	880833 O-ring	Ø 5,6x2,2	1
7	1040622 Piston		1
8	1040830 Spring		1
9	394770 Hub pin		1 Lubricate Molykote PG54
10	770130 O-ring	Ø 20,35x1,78	1 Lubricate Molykote PG54
11	1040610 Body	spring guide	1
12	550331 Washer		4
13	1040370 Screw	TCEI M6x22	4 C=10Nm
14	394790 Knob		1
15	480550 Ring	seeger Øe 12	1
16	1150650 Screw	TCTC M3x60	1 C=5Nm / Loxeal 55-14
17	390180 O-ring	Ø 18,72x2,62	4 Lubricate with motor oil
18	1040680 Body		1
19	130171 Plug	3/8" G	2 C=20Nm / Loxeal 55-14
20	130491 Valve	3/8" G - 1/2" G (M-M)	2 C=20Nm / Loxeal 55-14
21	1040690 Fork		2
22	1040950 Split pin		2
23	550545 Pressure gauge	Ø63 - 0÷80bar	1
24	1040660 Seat		1
25	550350 O-ring	Ø 23,81x2,62	2 Lubricate with Mineral Grease
26	1041250 Spacer		1
27	550040 O-ring	Ø 26,65x2,62	1 Lubricate with motor oil
28	1041240 Fitting	1" G (M-M)	1
29	740290 O-ring	Ø 14x1,78	2 Lubricate Molykote PG54
30	850652 Seat		2
31	850660 Ball		1
32	850680 Spring		1
33	1040700 Hub pin		1
34	1080200 O-ring	Ø 29,82x2,62	1 Lubricate with motor oil
35	1040710 O-ring	Ø 56x2	1 Lubricate with motor oil
36	1040720 Body		1
37	180030 Screw	TCEI M8x20	4 C=20Nm / Loxeal 55-14
38	1040730 Knob		1
39	1040820 Pin		1
40	1362 Valve kit adjustment		1
C	1955 O-ring kit		1
D	1956 Maintenance repair kit		1
950	950 Control units		1

AR_05_039_v01

Customer: AR

Customer Code:



SAE 30
1,000 Kg

Revision: 1

Date: 26/08/2023

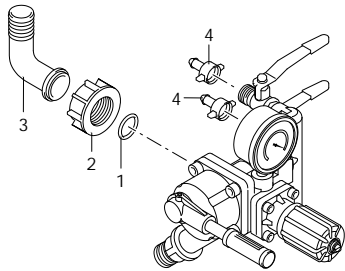


ELECTRIC MOTOR PUMP AR 813

32237 ELETROPOMPA AR 813 G.C.I. - BlueFlex

KIT

978



Code	Description	Q	Note
1	550350 O-ring	Ø 23,81x2,62	1 Lubricate with Mineral Grease
2	550880 Ring nut	1" G	1
3	550370 Elbow	Ø 25	1
4	110131 Ring nut	1/2" G	2
978	978 Kit for built-in control unit		1

AR_05_051_v01

Customer: AR
Customer Code:



SAE 30
1,000 Kg

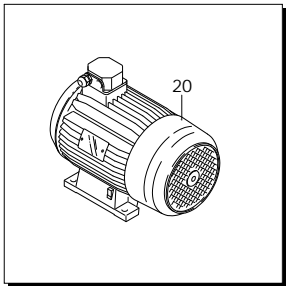
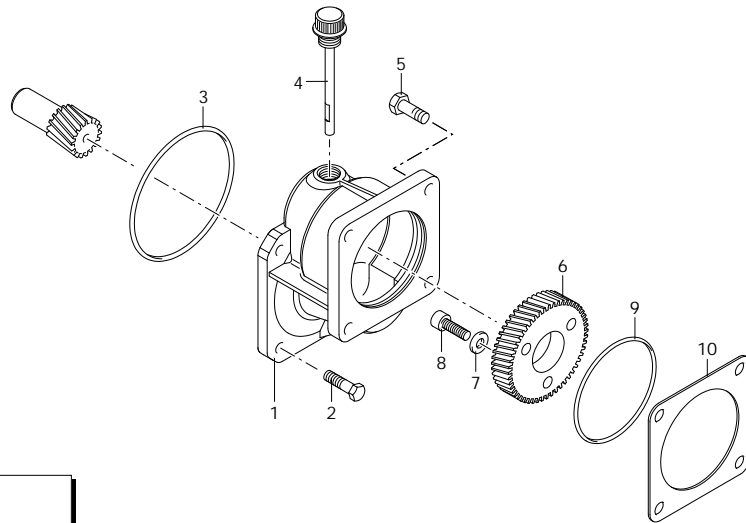
Revision: 1

Date: 26/08/2023



ELECTRIC MOTOR PUMP AR 813

32237 ELETTROPOMPA AR 813 G.C.I. - BlueFlex



AR_07_026_v01

Customer: AR
Customer Code:



W 90
0,020 Kg

Revision: 1

Date: 26/08/2023

Code	Description	Q	Note
1	651500 Box	1	
2	180370 Screw	TCEI M8x25	4 C=20Nm
3	651540 O-ring	Ø 107,62x2,62	1
4	1140370 Plug		1
5	160670 Screw	TE M10x25	4 C=40Nm
6	651510 Middling gear	Z=40	1
7	650530 Washer		3
8	650330 Screw	TCEI M10x35	3 C=40Nm
9	620561 O-ring	Ø 78x2,5	1 Lubrificate with Mineral Grease
10	650270 Gasket		1 Seal with Arexons Mastic
20	4086 Motor		1 8,5 HP