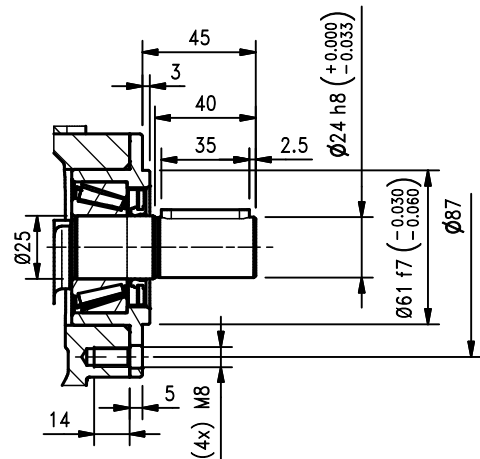
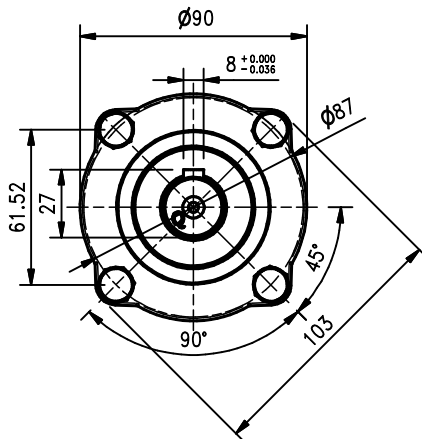
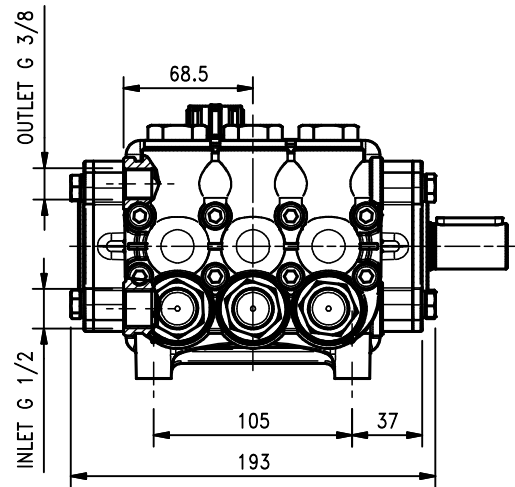
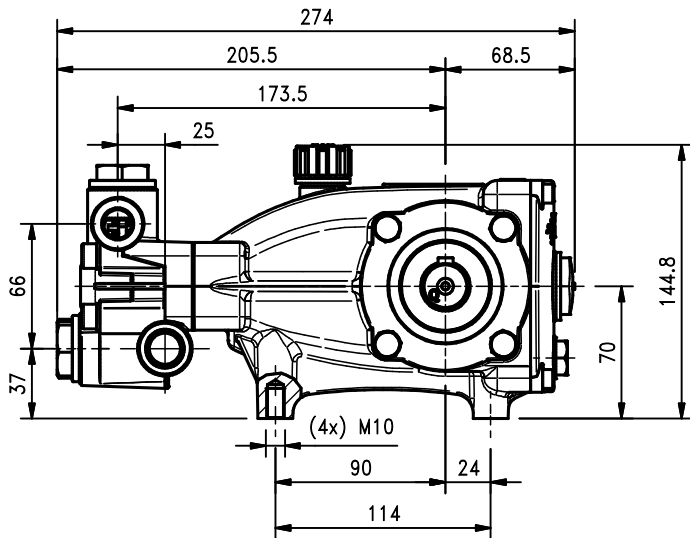


Caratteristiche Tecniche NMT Nickel Serie 2011 Series *Technical Characteristics*

Pump Pompa	Pressure Pressione		Volume Portata				RPM giri/min		Power Potenza			
			l/min		GPM				HP		kW	
	bar	PSI	50 Hz	60 Hz	50 Hz	60 Hz	50 Hz	60 Hz	50 Hz	60 Hz	50 Hz	60 Hz
NMT1220SR/LN	200	3000	12.5	15.0	3.3	4.0	1000	1200	6.4	7.7	4.7	5.7
NMT1520SR/LN	200	3000	15.0	18.0	4.0	4.7	1000	1200	7.7	9.2	5.7	6.8
NMT1220R/LN	200	3000	12.5	15.0	3.3	4.0	1450	1740	6.4	7.7	4.7	5.7
NMT1520R/LN	200	3000	15.0	18.0	4.0	4.7	1450	1740	7.7	9.2	5.7	6.8
NMT1820R/LN	200	3000	18.0	21.4	4.8	5.6	1450	1740	9.2	11.0	6.8	8.1
NMT2120R/LN	200	3000	21.0	25.0	5.5	6.6	1450	1740	10.7	12.8	7.9	9.4

Dimensioni d'ingombro

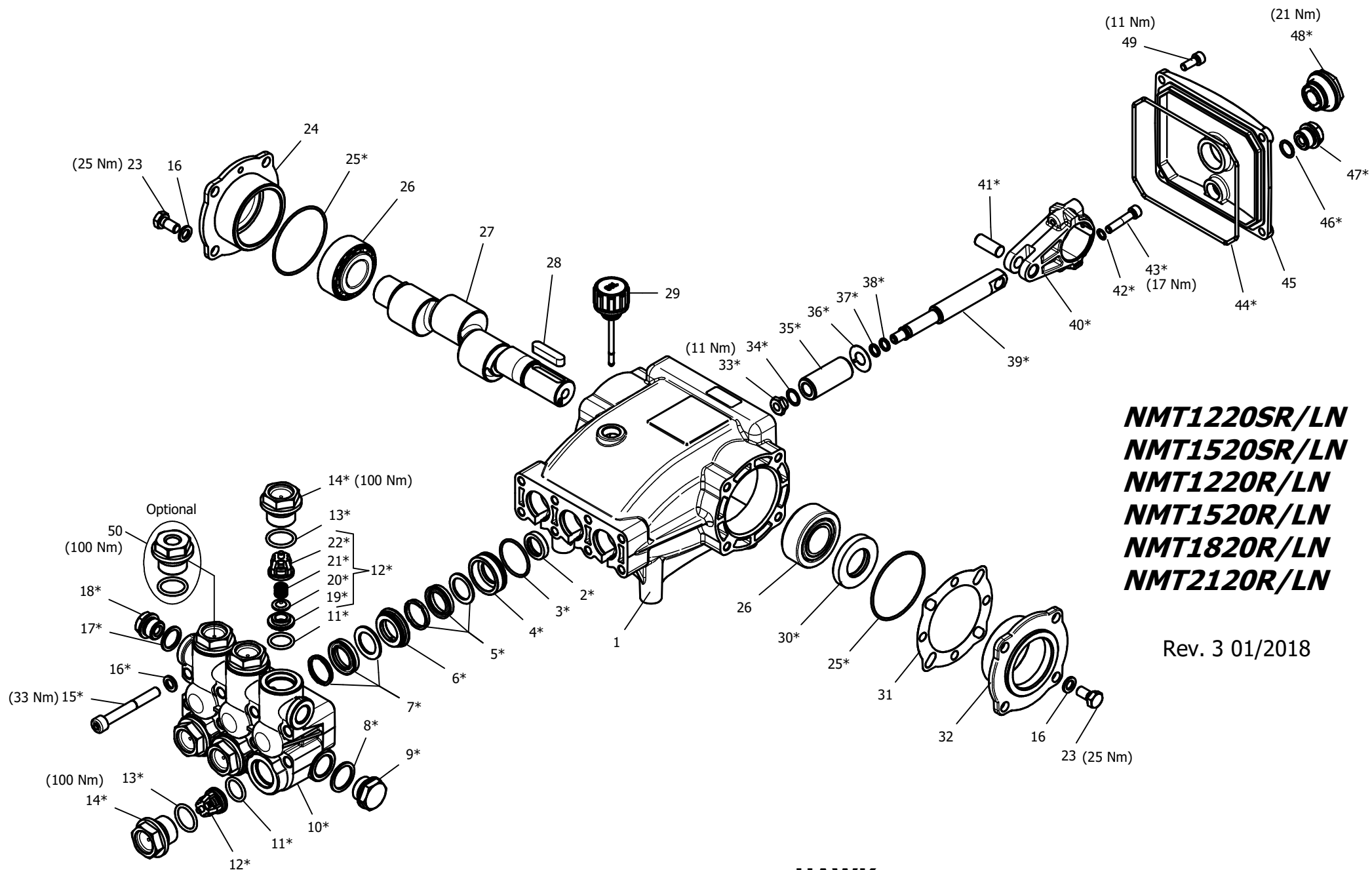
Overall dimensions



Lubrificazione: Olio SAE 10W-40
 Capacità: 0.7 Litri
 Peso pompa: 10.3 Kg

rev. 3 01-2018

Lubrication: SAE 10W-40 Oil
 Capacity: 0.7 Litres
 Weight: 10.3 Kg



***NMT1220SR/LN
 NMT1520SR/LN
 NMT1220R/LN
 NMT1520R/LN
 NMT1820R/LN
 NMT2120R/LN***

Rev. 3 01/2018

**HAWK
 Pompe NMT versioni nichelate 2011
 NMT pumps nickel plated 2011 series**

NMT NICKEL 2011 SERIES

ORDINARY MAINTENANCE KIT / KIT MANUTENZIONE ORDINARIA

KIT	Item Pos.	Part Number Codice	Description	Descrizione	Q.TY by Pump Q.TA per Pompa	NMT1220SR/LN	NMT1520SR/LN	NMT1220R/LN	NMT1520R/LN	NMT1820R/LN	NMT2120R/LN
A	3- 5- 7	1.099-747.0	PLUNGER SEALS DIA. 20 mm	GUARNIZIONI PISTONE Ø20	1						
B	11- 12- 13 (19- 20- 21 22)	1.905-543.0	COMPLETE VALVE	VALVOLA COMPLETA	1	•	•	•	•	•	•

EXTRAORDINARY MAINTENANCE KIT / KIT MANUTENZIONE STRAORDINARIA

KIT	Item Pos.	Part Number Codice	Description	Descrizione	Q.TY by Pump Q.TA per Pompa	NMT1220SR/LN	NMT1520SR/LN	NMT1220R/LN	NMT1520R/LN	NMT1820R/LN	NMT2120R/LN
C	3- 4- 5- 6- 7	1.905-578.0	COMPLETE SEALS PACKING DIA. 20 mm	PACCO COMPLETO GUARNIZIONI PISTONE Ø20	1						
D	33- 34- 35 36- 37- 38	1.099-749.0	PLUNGER DIA. 20 mm	PISTONE Ø20	3						
E	2	1.099-751.0	PLUNGER OIL SEALS	ANELLI TENUTA OLIO ASTA	1						
F	25- 30- 44 46- 47- 48	1.905-542.0	KIT CRANKCASE SEALS	KIT TENUTE CARTER	1						
G	3- 4- 5- 6- 7 8- 9- 10- 11 12- 13- 14 15- 16- 17 18 (19- 20 21- 22)	1.099-753.0	COMPLETE MANIFOLD	TESTATA COMPLETA	1	•	•	•	•	•	•
H	33- 34- 37 38- 39- 40 41- 42- 43	1.905-544.0	CONNECTING ROD PLUNGER ROD ASSY	PREMONTATO ASTA-BIELLA PISTONE	3						
I	13- 14	1.904-133.0	VALVE PLUG ASSY	PREMONTATO TAPPO VAM	6						

“Q.TY by Pump” => Necessary quantity to repair one pump
 “Q.TA’ per Pompa” => Quantità necessaria per riparare una pompa

OPTIONAL

Item Pos.	Part Number Codice	Description	Descrizione	Q.TY by Pump Q.TA per Pompa	NMT1220SR/LN	NMT1520SR/LN	NMT1220R/LN	NMT1520R/LN	NMT1820R/LN	NMT2120R/LN
50	9.853-426.0	THREADED BRASS PLUG G1/4	PREMONTATO TAPPO FORATO	1	•	•	•	•	•	•

TOOL KIT

Part Number Codice	Description	Descrizione	Q.TY by Pump Q.TA per Pompa	NMT1220SR/LN	NMT1520SR/LN	NMT1220R/LN	NMT1520R/LN	NMT1820R/LN	NMT2120R/LN
1.099-667.0	TOOL-KIT	TOOL-KIT	1	•	•	•	•	•	•
1.904-414.0	OIL SEAL EXTRACTOR TOOL-KIT	TOOL-KIT ESTRAZIONE PARAOLIO	1	•	•	•	•	•	•

IMPORTANT

IMPORTANTE

* **Part available ONLY in kit**
Disponibile SOLO in kit

(...) **Parts pre-assembled**
Parti pre-assemblate

PARTS LIST LISTA PARTI

Item Pos	Part Number Codice	Description	Descrizione	KIT	Q.TY Q.TÀ	NMT1220SR/LN	NMT1520SR/LN	NMT1220R/LN	NMT1520R/LN	NMT1820R/LN	NMT2120R/LN
1	9.850-375.0	CRANKCASE	CARTER		1						
2*		PLUNGER OIL SEAL	ANELLO RADIALE	E	3						
3*		"O" RING Ø1.78X31.47	"O" RING Ø1.78X31.47	A-C-G	3						
4*		PRESSURE RING 20MM	PRESSORE "U" Ø20	C-G	3						
5*		LOW PRESSURE "U" SEAL, DIA.20MM	ANELLO TENUTA "U" Ø20	A-C-G	3						
6*		INTERMED. RING 20MM	DIFFUSORE INTER. Ø20	C-G	3						
7*		HIGH PRESSURE "U" SEAL, DIA.20MM	ANELLO TENUTA "U" Ø20	A-C-G	3						
8*		COPPER WASHER G1/2	GUARNIZIONE RAME	G	1						
9*		BRASS PLUG G1/2 NICKEL PLATED	TAPPO G1/2 NICHELATO	G	1						
10*		MANIFOLD HOUSING NICKEL PLATED	TESTATA NICHELATA	G	1						
11*		"O" RING Ø2.62X17.13	"O" RING Ø2.62X17.13	B-G	6						
12*		VALVE ASSEMBLY	VALVOLA PREMONTATA	B-G	6						
13*		"O" RING Ø2.62X20.29	"O" RING Ø2.62X20.29	B-G-I	6	•	•	•	•	•	•
14*		VALVE PLUG NICKEL PLATED	TAPPO VALVOLA NICHELATO	G-I	6						
15*		MANIFOLD STUD BOLT M8X65 GEOMET	VITE M8X65 GEOMET	G	8						
16*		WASHER Ø8,5	ROSETTA Ø8,5	G	16						
17*		COPPER WASHER G3/8	GUARNIZIONE RAME	G	1						
18*		BRASS PLUG G3/8 NICKEL PLATED	TAPPO G3/8 NICHELATO	G	2						
19*		VALVE SEAT	SEDE VALVOLA	B-G	6						
20*		VALVE PLATE	PIATTELLO VALVOLA	B-G	6						
21*		VALVE SPRING	MOLLA VALVOLA	B-G	6						
22*		VALVE CAGE	GABBIA VALVOLA	B-G	6						
23	9.851-501.0	HEXAGONAL SCREW M8X18	VITE M8X18		8						
24	9.850-626.0	CLOSED BEARING HOUSING	FLANGIA CHIUSA		1						
25*		"O" RING Ø1.78X60.05	"O" RING Ø1.78X60.05	F	2						
26	9.850-349.0	ROLLER BEARING 33205	CUSCINETTO A RULLI 33205		2						
27	9.850-175.0	SINGLE - ENDED SHAFT	ALBERO SEMPLICE P.D.F.		1			•			
	9.850-177.0	" " "	" " "		1				•		
	9.850-178.0	" " "	" " "		1	•				•	
	9.850-179.0	" " "	" " "		1						•
	9.850-180.0	" " "	" " "		1		•				
28	9.850-446.0	CRANKSHAFT KEY	CHIAVETTA		1						
29	9.851-286.0	OIL DIP STICK	TAPPO LIVELLO OLIO		1						
30*		CRANKSHAFT SEAL	ANELLO RADIALE	F	1	•	•	•	•	•	•
31	9.850-547.0	SHIM	DISTANZIALE		1						
32	9.850-625.0	BEARING HOUSING	FLANGIA		1						

Item Pos	Part Number Codice	Description	Descrizione	KIT	Q.TY Q.TÀ	NMT1220SR/LN	NMT1520SR/LN	NMT1220R/LN	NMT1520R/LN	NMT1820R/LN	NMT2120R/LN
33*		PLUNGER NUT	DADO PISTONE	D-H	3						
34*		COPPER SPACER Ø 11.2/15X0.5	ROSETTA RAME Ø 1.2/15X0.5	D-H	3						
35*		PLUNGER 20MM	PISTONE Ø20	C	3						
36*		COPPER SPACER Ø 11.3/24X0.5	ROSETTA RAME Ø 1.3/24X0.5	C	3						
37*		"O" RING Ø1.78X7.66	"O" RING Ø1.78X7.66	D-H	3						
38*		TEFLON RING	ANELLO ANTIESTRUSIONE	D-H	3						
39*		PLUNGER ROD	ASTA PISTONE	H	3						
40*		CONNECTING ROD	BIELLA	H	3						
41*		CONNECTING ROD PIN	SPINOTTO	H	3	•	•	•	•	•	•
42*		SPRING WASHER Ø6	ROSETTA ELASTICA Ø6	H	6						
43*		CONNECTING ROD SCREW M6X30	VITE M6X30	H	6						
44*		"O" RING Ø 2.62X126.67	"O" RING Ø 2.62X126.67	F	1						
45	9.850-388.0	CRANKCASE COVER	COPERCHIO POSTERIORE		1						
46*		"O" RING Ø1.78X14	"O" RING Ø1.78X14	F	1						
47*		BRASS PLUG G 3/8	TAPPO G 3/8	F	1						
48*		SIGHT GLASS, G3/4	SPIA LIVELLO OLIO G3/4	F	1						
49	9.851-474.0	SCREW M6X16	VITE M6X16		4						