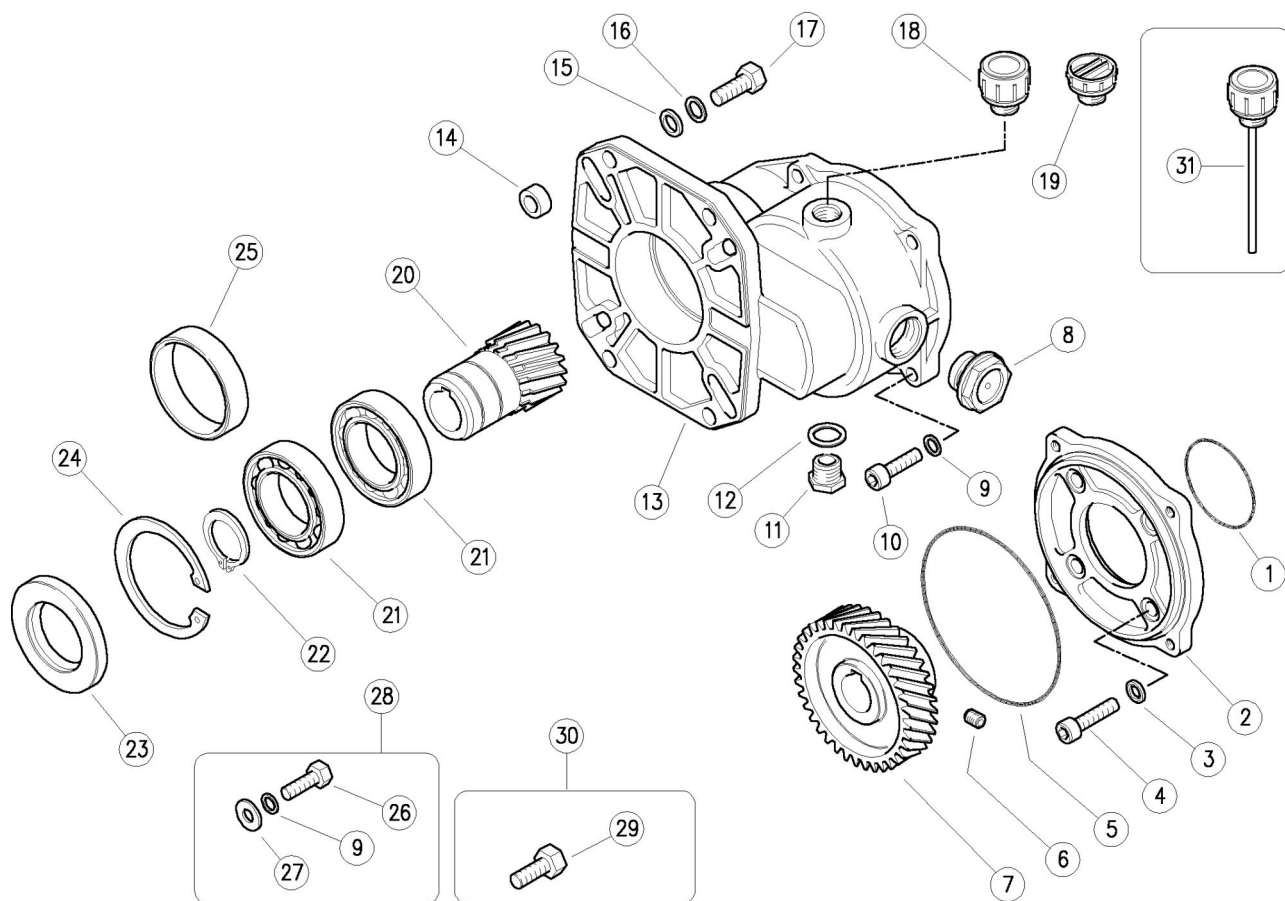


50.0000.00 B18 Gear box 11-18 HP r.2,176:1
 50.0000.25 B18 Gear box 11-18 HP r.2,176:1
 50.0040.00 B18 Gear box 11-18 HP r.2,176:1

50.0090.00 B18 Direct drive gearbox Ip.Evo2
 50.0100.00 B10 Gear box 7-10 HP r.2,176:1



K1 K2 K3 K4

1	10.3210.56R	O-ring, 2,62x56,82 mm	1			10
1	10.3081.63R	O-ring, 1,78x63,22 mm (1)	1			10
2	50.0002.44R	Gearbox flange, alum.	1			5
2	50.0091.44R	Gearbox flange, Ip Evo 2-Speck NP10-16 (1)	1			2
3	14.4098.00R	Sealing washer, d.8 mm	4			10
3	14.4096.00R	Sealing washer, d.6 mm (1)	4			4
4	16.1958.31R	Screw, DIN912 M8x30 mm z.pl.	4			4
4	16.1897.00R	Screw DIN 912, M6 x 25 mm z.pl. (1)	4			10
5	10.3212.95R	O-ring, 3,0 x 112, mm (1)	1			10
6	16.2223.00R	Set screw, DIN916 M8x10 mm	1			10
7	50.0003.65R	Ring gear, Z.37 d.24mm	1			1
8	15.3734.00R	See-through oil plug 3/4" Bsp+seal	1			5
9	14.3652.00R	Safet. washer, 8,4x13x0,8 mm	8			10
10	16.1958.26R	Screw, DIN912 M8x25 mm z.pl.	4			4
11	60.0028.31R	Plug,brass 3/8 Bsp,hex.19	1			25
12	14.4042.00R	Washer, 16,7x22x1,5 mm alu.	1			25
13	50.0001.44R	Gearbox case, alum.	1			1
14	50.0008.31R	Spacer ring, 10,3x18x6 mm brass	4			10
15	14.3798.00R	Washer, 10,5x17x2 mm	4			10

K1 K2 K3 K4

16	14.3653.00R	Safet. washer, 10,5x16x1 mm	4			10
17	16.2010.00R	Screw, DIN933 3/8"UNCx1"1/4 z.pl.	4			4
18	15.3726.00R	Oil plug 3/8" Bsp+seal	1			5
19	15.3725.00R	Plug, 3/8" Bsp plast.	1			5
20	50.0006.21R	Pinion, Z.17 d.1" (25,4mm) complete (2,3)	1			1
20	50.0007.21R	Pinion, Z.17 d.1"1/8 (28,6mm) complete (4)	1			1
20	50.0012.21R	Pinion, Z.17 25mm complete (5)	1			1
21	11.4440.68R	Ball-bearing, 40x68x15 mm	2			2
21	11.4440.68R	Ball-bearing, 40x68x15 mm (3)	1			2
22	10.1040.00R	Snap ring, E 40	1			5
23	10.2040.72R	Seal ring, 40x72x7 mm	1			5
24	10.1072.00R	Snap ring, I 72	1			5
25	50.0101.61R	Spacer ring, 60x68x15 mm (3)	1			3
26	16.2009.00R	Screw, DIN933 5/16"UNFx1" z.pl.	4			4
27	14.3572.00R	Washer, 8,4x21x1,5 mm	4			10
28	50.0010.24	Lock-Kit, 127mm,5/16"screws+washers	1			1
29	16.2035.00R	Screw, DIN933 M10x35 mm z.pl. **	4			10
30	50.0011.24	Lock-Kit, 165mm, M10 screws **	1			1
31	15.3728.00R	Oil plug +dipstick **	1			3

**

(1) 50.0090.00 (2) 50.0000.00 (3) 50.0100.00 (4) 50.0040.00 (5) 50.0000.25