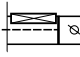
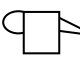



serie 316 TAM 316

CARATTERISTICHE - SPECIFICATIONS

IN	DIAMETER	\varnothing	1/2 BSP
	PRESS.	Min.	-0.1 bar - 1.5 PSI
		Max.	6 bar 87 PSI
TEMP.	Max.	85° C. 185° F.	
OUT	DIAMETER	\varnothing	3/8 BSP
SHAFT		\varnothing	24 mm
OIL		SAE 75W90	0.7 litri 0.18 U.S.G.
PESO WEIGHT		Kg / lbs	10.6 / 23.3



KIT TAPPO VALVOLA CON FORO 1/4 BSP PER MANOMETRO cod. 08.9841.97.3 (optional)

VALVE CAP KIT WITH BORE 1/4 BSP FOR PRESSURE GAUGE P/N 08.9841.97.3 (optional)

KIT BOUCHON CLAPET AVEC TROU 1/4 BSP POUR MANOMÈTRE réf. 08.9841.97.3 (option)

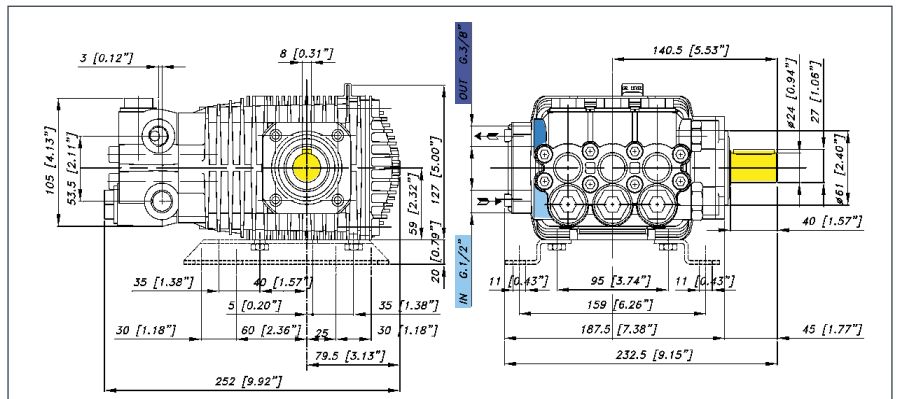
KIT TAPA VÁLVULA CON AGUJERO 1/4 BSP PARA MANÓMETRO cod. 08.9841.97.3 (opción)

KIT PIEDINI cod. 07.9802.97.3 (optional)

MOUNTING RAILS KIT P/N 07.9802.97.3 (optional)

KIT SUPPORTS réf. 07.9802.97.3 (option)

JUEGO DE PIES cod. 07.9802.97.3 (opción)



CARATTERISTICHE - FEATURES

PERFORMANCE CHART

MODELLO MODEL CODICE PART NR.	MAX		PRESS		RPM 950				RPM 1450				RPM 1725				PIST. CORSA PLUNG. STROKE	
	L/min	GPM	Bar	PSI	L/min	GPM	KW	HP	L/min	GPM	KW	HP	L/min	GPM	KW	HP	Dia. mm	mm
TAM 1215 07.1018.97.3	13.8	3.7	100	1450	7.8	2.1	1.5	2.0	12.2	3.1	2.3	3.1	13.8	3.7	2.7	3.6	18	11.2
			125	1813	7.7	2.0	1.9	2.5	12.1	3.1	2.9	3.9	13.8	3.6	3.4	4.5		
			150	2175	7.7	2.0	2.3	3.0	12.1	3.1	3.4	4.6	13.7	3.6	4.0	5.4		
TAM 1315 07.1019.97.3	15.3	4.1	100	1450	8.6	2.3	1.7	2.3	13.2	3.4	2.6	3.4	15.3	4.1	3.0	4.0	18	12.4
			125	1813	8.6	2.3	2.1	2.8	13.1	3.4	3.2	4.3	15.3	4.0	3.7	5.0		
			150	2175	8.5	2.3	2.5	3.4	13.1	3.4	3.8	5.1	15.2	4.0	4.5	6.0		
TAM 1515 07.1020.97.3	17.8	4.7	100	1450	10.0	2.6	2.0	2.6	15.2	4.0	3.0	4.0	17.8	4.7	3.5	4.7	18	14.4
			125	1813	10.0	2.6	2.4	3.3	15.1	4.0	3.7	5.0	17.7	4.7	4.3	5.8		
			150	2175	9.9	2.6	2.9	3.9	15.1	4.0	4.4	5.9	17.6	4.7	5.2	7.0		
TAM 1715 07.1021.97.3	19.8	5.2	100	1450	11.1	2.9	2.2	2.9	17.2	4.5	3.3	4.4	19.8	5.2	3.9	5.2	18	16
			125	1813	11.1	2.9	2.7	3.6	17.1	4.5	4.1	5.5	19.7	5.2	4.8	6.5		
			150	2175	11.0	2.9	3.2	4.3	17.1	4.5	4.9	6.6	19.6	5.2	5.8	7.7		
TAM 2015 07.1022.97.3	23.1	6.1	100	1450	13.0	3.4	2.6	3.4	20.1	5.2	3.9	5.2	23.1	6.1	4.5	6.1	18	18.7
			125	1813	12.9	3.4	3.2	4.3	20.1	5.2	4.8	6.4	23.0	6.1	5.6	7.6		
			150	2175	12.9	3.4	3.8	5.1	20.1	5.2	5.7	7.7	22.9	6.0	6.7	9.0		