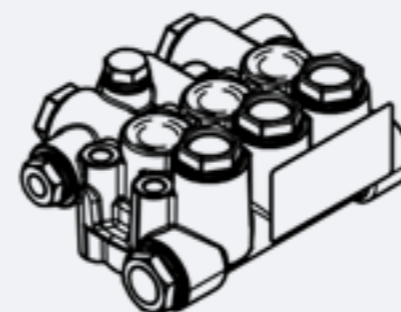


<p>MASSIMA TEMPERATURA INGRESSO ACQUA MAX INPUT WATER TEMPERATURE</p> <p><b>45°C</b> <b>113° F</b></p>	<p>PRESSIONE MINIMA INGRESSO MINIMAL INPUT PRESSURE</p> <p><b>0.2 BAR</b> <b>2.9 PSI</b></p>	<p>INGRESSO INLET</p> <p><b>G 1/2"</b></p>	<p>USCITA OUTLET</p> <p><b>G 3/8"</b></p>	<p>TESTATA NICHELATA NICKEL PLATED MANIFOLD</p>
--	--	--	---	---



Codice Code	Modello Model	Portata / Flow Rate lt/min - gal/min		Pressione / Pressure		Potenza / Power				Albero Shaft L: 40mm Ø 24
		1450 rpm	1740 rpm	Bar	Psi	50Hz		60Hz		
						HP	Kw	HP	Kw	
P3.012.001	<b>PM8150 R</b>	8 2,11	10 2,64	150.00	2175.57	3.31	2.47	3.97	2.96	Destra / Right
P3.012.002	<b>PM10150 R</b>	10 2,64	12 3,17	150.00	2175.57	3.90	2.91	4.68	3.49	Destra / Right
P3.012.003	<b>PM11150 R</b>	11 2,91	13,2 3,49	150.00	2175.57	4.29	3.20	5.14	3.83	Destra / Right
P3.012.004	<b>PM12150 R</b>	12 3,17	14,4 3,80	150.00	2175.57	4.68	3.49	5.61	4.18	Destra / Right
P3.012.005	<b>PM13150 R</b>	13 3,43	15,6 4,12	170.00	2465.00	5.06	3.77	6.08	4.53	Destra / Right
P3.012.006	<b>PM14150 R</b>	14 3,70	16,8 4,44	150.00	2175.57	5.45	4.06	6.55	4.88	Destra / Right
P3.012.007	<b>PM15150 R</b>	15 3,96	18 4,76	150.00	2175.57	5.84	4.35	7.01	5.22	Destra / Right
P3.012.008	<b>PM8150 L</b>	8 2,11	10 2,64	150.00	2175.57	3.31	2.47	3.97	2.96	Sinistra / Left
P3.012.009	<b>PM10150 L</b>	10 2,64	12 3,17	150.00	2175.57	3.31	2.47	4.68	3.49	Sinistra / Left
P3.012.010	<b>PM11150 L</b>	11 2,91	13,2 3,49	150.00	2175.57	4.29	3.20	5.14	3.83	Sinistra / Left
P3.012.011	<b>PM12150 L</b>	12 3,17	14,4 3,80	150.00	2175.57	4.68	3.49	5.61	4.18	Sinistra / Left
P3.012.012	<b>PM13150 L</b>	13 3,43	15,6 4,12	170.00	2465.00	5.06	3.77	6.08	4.53	Sinistra / Left
P3.012.013	<b>PM14150 L</b>	14 3,70	16,8 4,44	150.00	2175.57	5.45	4.06	6.55	4.88	Sinistra / Left
P3.012.014	<b>PM15150 L</b>	15 3,96	18 4,76	150.00	2175.57	5.84	4.35	7.01	5.22	Sinistra / Left

## RICAMBI / SPARE PARTS



KIT - P9.040.013

TESTATA COMPLETA  
COMPLETE HEAD OF THE PUMP



KIT - P9.039.001

ANELLI TENUTA OLIO ASTA  
KIT OIL SEAL PUMP MM PM



KIT - P9.003.003

GUARNIZIONE PISTONE  
KIT PLUNGER SEALS



KIT - P9.004.002

PISTONE Ø18 POMPA PM  
KIT CERAMIC PISTON



KIT - P9.001.002

VALVOLA COMPLETA  
COMPLETE VALVE



KIT - P9.003.004

GUARNIZIONE PISTONE - PACCO COMPLETO  
KIT COMPLETE SEALS



KIT - P2.150.002

PREMONTATO BIELLA - ASTA  
PREASSEMBLED CONNECTING ROD

PM-CW CAR WASH	PORTATA FLOW RATE		GIRI ROUNDS	PRESSIONE MASSIMA MAX PRESSURE		CAPACITÀ OLIO OIL CAPACITY		PESO WEIGHT	
	Lt/min	Gal/min	Rpm	Bar	Psi	Lt	Gal	Kg	Lbs
50HZ	8.00 » 15.00	2.24 » 3.96	1450	150	2175.57	0.4	0.1	7.5	16.53
60Hz	10.00 » 18.00	2.69 » 4.75	1740						