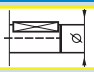
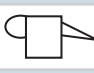



# highest quality customized PRECISION POMPE CON MOTORE IDRAULICO

BOMBAS COM MOTOR HIDRÁULICO

## CARATTERISTICHE - SPECIFICATIONS

IN	DIAMETER	∅	1/2 BSP
	PRESS.	Min.	1 bar 15 PSI
		Max.	6 bar 87 PSI
TEMP.	Max.	60° C. 140° F.	
OUT	DIAMETER	∅	3/8 BSP
SHAFT		∅	HOLLOW 14X17 DIN 5482
OIL		SAE 75W 90	0.7 Litri 0.18 U.S.G.
PESO WEIGHT		Kg lbs	15.5 / 34.1
PISTONE PLUNG.	DIAMETER	mm	20
CORSA STROKE		mm	18

THY 2715



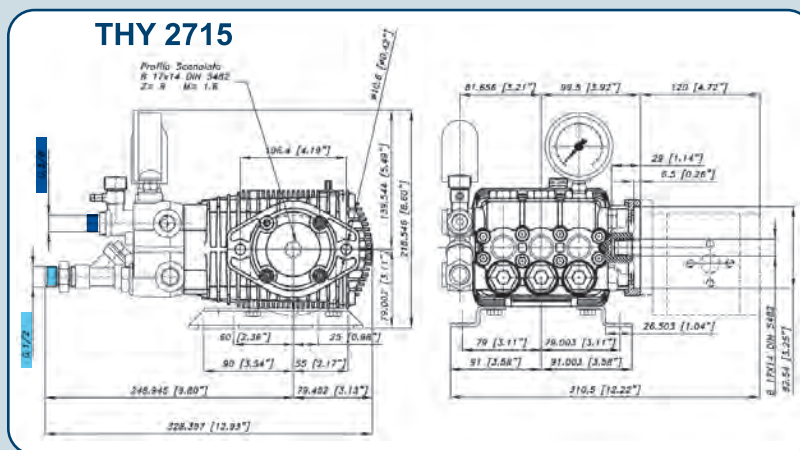
## KIT ACCESSORI - ACCESSORIES KIT - KIT ACCESSOIRES - KIT ACCESORIOS

02.6198.97.A

Lancia- Pistola- Ugello - Filtro- Tubo di mandata 5/16"  
Lance- Gun- Nozzle - Filter- High pressure hose 5/16"  
Lance- Pistolet - Buse - Filtre- Tuyau de refoulement 5/16"  
Lanza- Pistola- Boquilla- Filtro- Manguera de alta presión 5/16"

07.3093.97.A

Lancia- Pistola- Ugello-Filtro- Tubo di mandata 3/8"  
Lance- Gun- Nozzle - Filter- High pressure hose 3/8"  
Lance- Pistolet - Buse- Filtre- Tuyau de refoulement 3/8"  
Lanza- Pistola- Boquilla- Filtro- Manguera de alta presión 3/8"



## CARATTERISTICHE - FEATURES

## PERFORMANCE CHART

MODELLO MODEL CODICE CODE	MAX L/min GPM	PRESS		RPM 950				RPM 1450				RPM 1725				Oil Pressure (hydraulic motor)	
		Bar	PSI	L/min	GPM	KW	HP	L/min	GPM	KW	HP	L/min	GPM	KW	HP	BAR	PSI
THY 2715 07.3091.97.3	27.0 7.1	100	1450	15.7	4.1	3.1	4.1	23.4	6.2	4.6	6.2	27.0	7.1	5.3	7.1	60	870
		125	1813	15.6	4.1	3.8	5.1	23.3	6.2	5.7	7.7	26.9	7.1	6.6	8.9	90	1305
		150	2175	15.5	4.1	4.6	6.1	23.2	6.1	6.8	9.2	26.8	7.1	7.9	10.6	100	1450
PORTATA OLIO MOTORE IDRAULICO HYDRAULIC MOTOR OIL FLOW				22 5.8				32 8.4				38 10					