

highest quality state of the art CUSTOMIZED PRECISION RBL PREMIUM

CARATTERISTICHE - SPECIFICATIONS

IN	DIAMETER	\varnothing	1" BSP
	PRESS.	Min.	-0.1 bar - 1.5 PSI
		Max.	6 bar 87 PSI
TEMP.	Max.	74° C. 165° F.	
OUT	DIAMETER	\varnothing	1/2 BSP
SHAFT		\varnothing	30 mm
OIL		SAE 75W90	1.5 litri 0.4 U.S.G.
PESO WEIGHT		Kg lbs	20.5 / 45.2



FLANGIA CON GIUNTO ELASTICO PER MOTORI IDRAULICI (vedi pag. 76) BRIDE AVEC ACCOUPLEMENT ELASTIQUE POUR MOTEURS HYDRAULIQUES (voir page 76)
 BELL HOUSING + FLEXIBLE COUPLING FOR HYDRAULIC MOTORS (see page 76) BRIDA CON JUNTA ELÁSTICA PARA MOTORES HIDRÁULICOS (véase pág. 76)

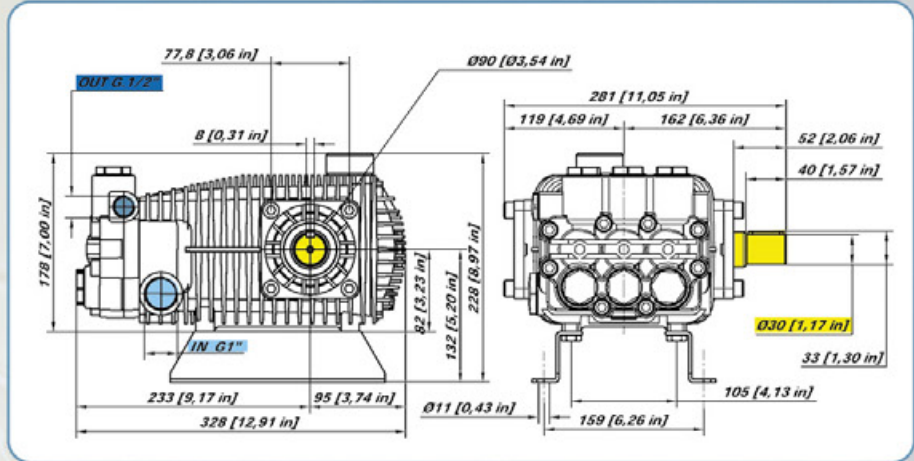


INTELLIseal™

Dx Bz B O

OPTIONAL Sx G M F

KIT PIEDINI cod. 08.9829.97.3 (optional)
 MOUNTING RAILS KIT cod. 08.9829.97.3 (optional)
 KIT SUPPORTS cod. 08.9829.97.3 (option)
 JUEGO DE PIES cod. 08.9829.97.3 (opción)



CARATTERISTICHE - FEATURES

PERFORMANCE CHART

MODELLO MODEL CODICE PART NR.	MAX		PRESS		RPM 950				RPM 1450				RPM 1725				PIST. PLUNG. Dia. mm	CORSA STROKE mm
	L/min	GPM	Bar	PSI	L/min	GPM	KW	HP	L/min	GPM	KW	HP	L/min	GPM	KW	HP		
RBL 4219-P 08.1042.97.A	49.0	12.9	150	2175	27.5	7.3	8.1	10.9	41.6	11.0	12.3	16.4	49.0	12.9	14.4	19.4	25	21
			170	2465	27.4	7.2	9.1	12.3	41.4	10.9	13.8	18.5	48.8	12.9	16.3	21.8		
			190	2755	27.3	7.2	10.2	13.6	41.2	10.9	15.4	20.6	48.5	12.8	18.1	24.3		
RBL 5019-P 08.1004.97.A	50.0	13.2	150	2175	33.1	8.7	9.7	13.1	50.0	13.2	14.7	19.7	N.D. N.A.	25	25			
			170	2465	32.9	8.7	11.0	14.7	49.7	13.1	16.6	22.3						
			190	2755	32.7	8.6	12.2	16.4	49.5	13.1	18.5	24.8						